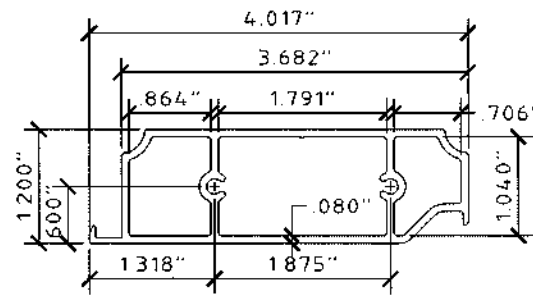


GENERAL NOTES:

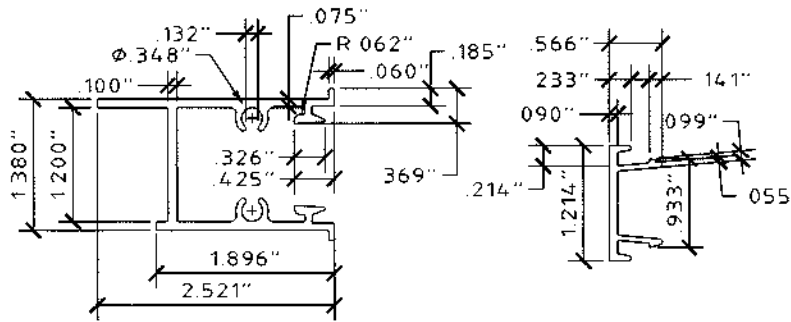
- THESE INSTALLATION INSTRUCTIONS ARE PART OF A PRODUCT APPROVAL EVALUATION AND SHALL ONLY BE USED IN CONJUNCTION WITH THE EVALUATION REPORT SUBMITTED FOR THE SAME PRODUCT APPROVAL.
- THIS SYSTEM HAS BEEN TESTED AND EVALUATED IN ACCORDANCE WITH THE FLORIDA BUILDING CODE SIXTH EDITION (2017), FOR USE OUTSIDE THE HIGH VELOCITY HURRICANE ZONE, AND THE INTERNATIONAL BUILDING CODE (IBC) AND INTERNATIONAL RESIDENTIAL CODE (IRC). THIS SYSTEM MEETS MISSILE LEVEL "D" AND INCLUDES WIND WIND ZONE 4 AS DEFINED IN ASTM E1996-09. SEE EVALUATION REPORT FOR MORE INFORMATION.
- POSITIVE AND NEGATIVE DESIGN PRESSURES CALCULATED FOR USE WITH THIS SYSTEM SHALL BE DETERMINED PER SEPARATE ENGINEERING IN ACCORDANCE WITH THE GOVERNING CODE. PRESSURE REQUIREMENTS SHALL BE LESS THAN OR EQUAL TO THE POSITIVE OR NEGATIVE DESIGN PRESSURE CAPACITY VALUES LISTED HEREIN FOR ANY ASSEMBLY AS SHOWN.
- TESTING WAS CONDUCTED IN ACCORDANCE WITH TAS 201/202/203 AND ASTM E1886-02/E1996-09/E330-02.
- THIS SYSTEM HAS BEEN DESIGNED WITH NO SEPARATION FROM GLAZING REQUIRED FOR ALL WIND ZONES, IN ACCORDANCE WITH ASTM E1996-09. IT IS ACCEPTABLE BY CODE UNLESS OPTIONAL CRITERIA IS INDEPENDENTLY ADOPTED BY THE AUTHORITY HAVING JURISDICTION.
- DESIGN PRESSURES NOTED HEREIN ARE BASED ON MAXIMUM TESTED PRESSURES DIVIDED BY A 1.5 SAFETY FACTOR.
- NO INCREASE IN ALLOWABLE STRESS HAS BEEN USED IN THE DESIGN OF THESE PRODUCTS. WIND LOAD DURATION FACTOR $C_d = 1.6$ WAS USED FOR WOOD ANCHOR DESIGN.
- DETERMINE THE POSITIVE AND NEGATIVE DESIGN LOADS TO USE WHEN REFERENCING THESE DOCUMENTS IN ACCORDANCE WITH THE GOVERNING CODE AND GOVERNING WIND VELOCITY. FOR WIND LOAD CALCULATIONS IN ACCORDANCE WITH ASCE 7, A DIRECTIONALITY FACTOR OF $K_d = 0.85$ SHALL BE USED.
- THE SYSTEM DETAILED HEREIN IS GENERIC AND DOES NOT PROVIDE INFORMATION FOR A SPECIFIC SITE.
- PERMIT HOLDER SHALL VERIFY THE ADEQUACY OF THE EXISTING STRUCTURE TO WITHSTAND SUPERIMPOSED LOADS.
- ANCHORS SHALL BE INSTALLED PER MANUFACTURER RECOMMENDATIONS. MINIMUM EMBEDMENT AND EDGE DISTANCE EXCLUDES STUCCO, FOAM, BRICK, AND OTHER WALL FINISHES.
- USE OF THESE APPROVAL DOCUMENTS SHALL COMPLY WITH CHAPTER 61G15-23 OF THE FLORIDA ADMINISTRATIVE CODE.
- THESE APPROVAL DOCUMENTS ARE SUITABLE TO BE APPLIED BY THE CONTRACTOR PROVIDED THE CONTRACTOR DOES NOT DEVIATE FROM THE CONDITIONS DETAILED HEREIN AND THE CONTRACTOR VERIFIES THAT THE EXISTING STRUCTURE DOES NOT DEVIATE IN EITHER FORM OR MATERIAL FROM THE STRUCTURAL SUBSTRATES DETAILED HEREIN.
- ANY MODIFICATIONS OR ADDITIONS TO THESE APPROVAL DOCUMENTS WILL VOID THE APPROVAL DOCUMENTS.
- EACH SHUTTER ASSEMBLY SHALL BE PERMANENTLY LABELED WITH THE FOLLOWING MINIMUM INFORMATION:
 TOWN & COUNTRY INDUSTRIES
 FORT LAUDERDALE, FL
 MISSILE LEVEL D - ASTM E1886, E1996 & E330
 TAS 201, 202 & 203
 FLORIDA PRODUCT APPROVAL NUMBER
- ALL EXTRUSIONS SHOWN SHALL BE 6063-T6 ALUMINUM ALLOY, U.O.N., WITH A MINIMUM F_y OF 25 K.S.I.
- ALL BOLTS AND WASHERS (EXCLUDING INSTALLATION) SHALL BE STAINLESS STEEL WITH A MINIMUM TENSILE STRENGTH OF 60 K.S.I., U.O.N. POP RIVETS SHALL BE 1/4"Ø OR 3/16"Ø 5052 ALUM. ALLOY.
- MAXIMUM ALLOWABLE DESIGN PRESSURE IN CLOSED POSITION PROVIDING WIND LOAD & IMPACT RESISTANCE = **+57.2/-66.2** PSF FOR ALL SHUTTER SYSTEM CONFIGURATIONS SHOWN HEREIN.
- MAXIMUM ALLOWABLE DESIGN PRESSURE IN OPEN POSITION = **+/- 28** PSF.
- THIS SHUTTER SYSTEM SHALL NOT BE INSTALLED IN ESSENTIAL FACILITIES AS DEFINED IN ASTM E1996-09.
- SHUTTER ASSEMBLY MUST BE CLOSED AND SECURED AND SHALL NOT BE LEFT IN THE OPEN POSITION IN THE EVENT OF A WIND STORM EVENT.
- ALL STEEL IN CONTACT WITH ALUMINUM SHALL BE PAINTED OR PLATED.

COLONIAL SHUTTER

PATENT #8126298

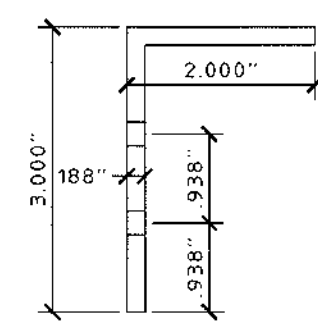


1 MUNTIN
SCALE: HALF SIZE

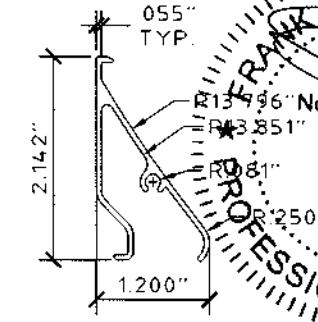


2 JAMB
SCALE: HALF SIZE

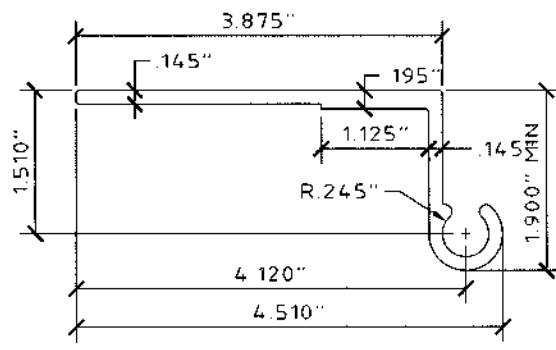
3 JAMB SNAP
SCALE: HALF SIZE



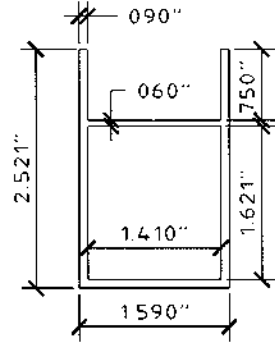
4 4\"/>



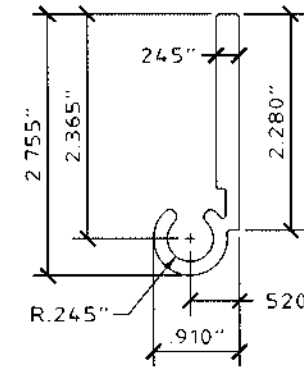
5 COLONIAL BLADE
SCALE: HALF SIZE



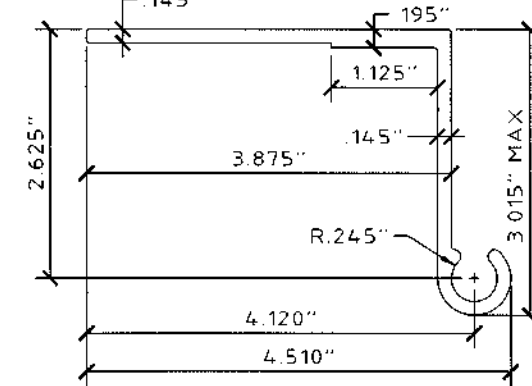
6 WALL HINGE
SCALE: HALF SIZE



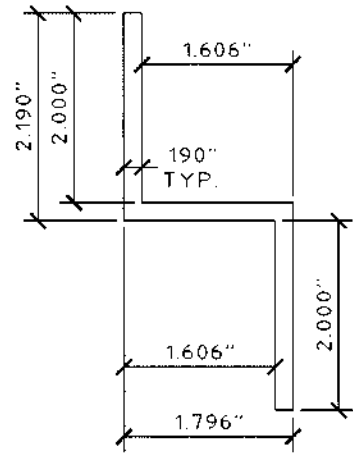
7 HEADER / SILL
SCALE: HALF SIZE



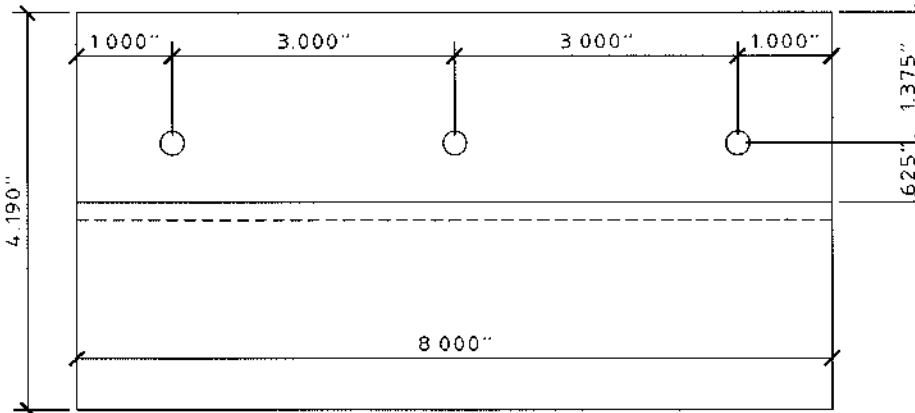
9 FLAT HINGE
SCALE: HALF SIZE



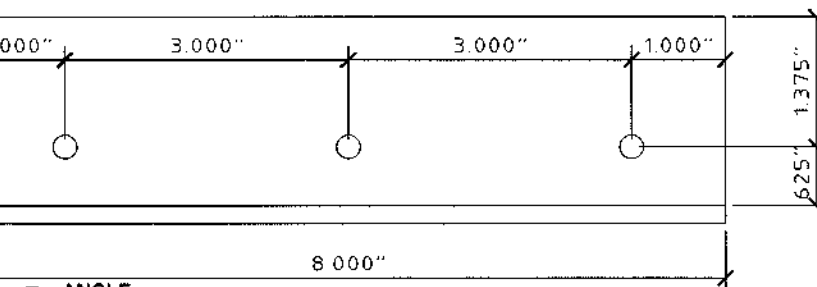
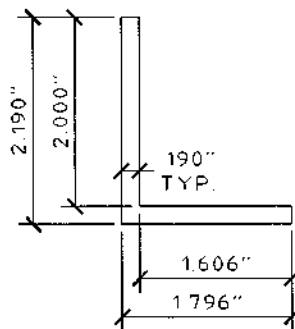
8 BUILD-OUT WALL HINGE
SCALE: HALF SIZE



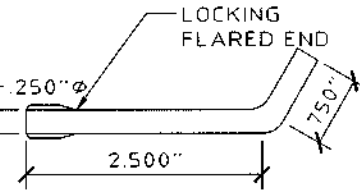
10 Z\"/>



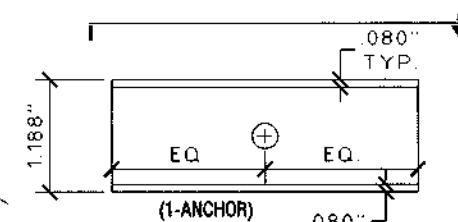
10A 4-1/2\"/>



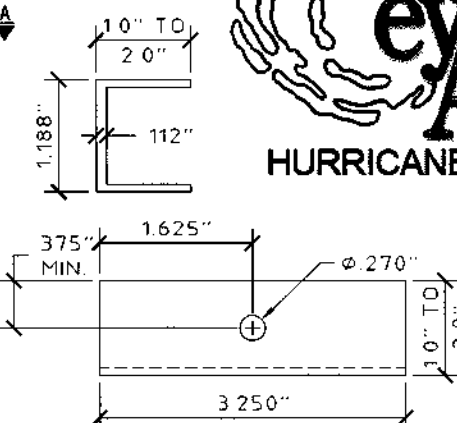
11 ANGLE
SCALE: HALF SIZE



12 L-PIN - 1/4\"/>



13 C\"/>



FRANK L. BENNARDO, P.E.
 PE0046549
 BEA
 08/09/2017
 PE0046549
ENGINEERING EXPRESS
 PROFESSIONAL ENGINEERING
 CORPORATE OFFICE:
 160 SW 12th AVE., SUITE 106
 DEERFIELD BEACH, FL 33442
 P: (561) 354-0660 F: (561) 354-0448
 E: HELLO@ENGINEERINGEXPRESS.COM
 ENGINEERINGEXPRESS.COM
 CERT OF AUTH. #9885

Town & Country
 INDUSTRIES
 Wholesale Aluminum and Building Products
 A Division of ABC Supply Co., Inc.
 400 WEST MCNAB ROAD FT. LAUDERDALE, FL 33309
 FLORIDA PRODUCT APPROVAL #16219.1

REVISIONS	DATE	BY	CHKD
INIT ISSUE (12-TCH-06)	12/20/12	KL	FLB
FBC UPDATE	04/16/15	RWN	TSB
REV - ADD 4\"/>			
REV (2017 FBC)	08-07-17	RWN	FLB

REMARKS: THIS DOCUMENT IS THE PROPERTY OF FRANK L. BENNARDO, P.E. AND SHALL BE REPRODUCED IN WHOLE OR IN PART WITHOUT WRITTEN CONSENT OF FRANK L. BENNARDO, P.E. NO ALTERATIONS, ADDITIONS, DELETIONS, OR OMISSIONS TO THIS DOCUMENT ARE PERMITTED AND SHALL BE CONSIDERED VOID.

COPYRIGHT FRANK L. BENNARDO P.E.
15-2341
 SCALE:
 PAGE DESCRIPTION:
1

COLONIAL SHUTTER

FRANK L. BERNARDO, P.E.
 No. PE0046549
 08/09/2017

PROFESSIONAL ENGINEERING
ENGINEERING EXPRESS
 CORPORATE OFFICE:
 160 SW 12TH AVE., SUITE 106
 DEERFIELD BEACH, FL 33442
 P: (954) 354-0660 F: (954) 354-0668
 E: HELLO@ENGINEERINGEXPRESS.COM
 ENGINEERINGEXPRESS.COM
 CERT OF AUTH #9885

Town & Country
 INDUSTRIES
 Wholesale Aluminum and Building Products
 A Division of ABC Supply Co., Inc.
 400 WEST MCNAB ROAD FT. LAUDERDALE, FL 33309
 FLORIDA PRODUCT APPROVAL #16219.1

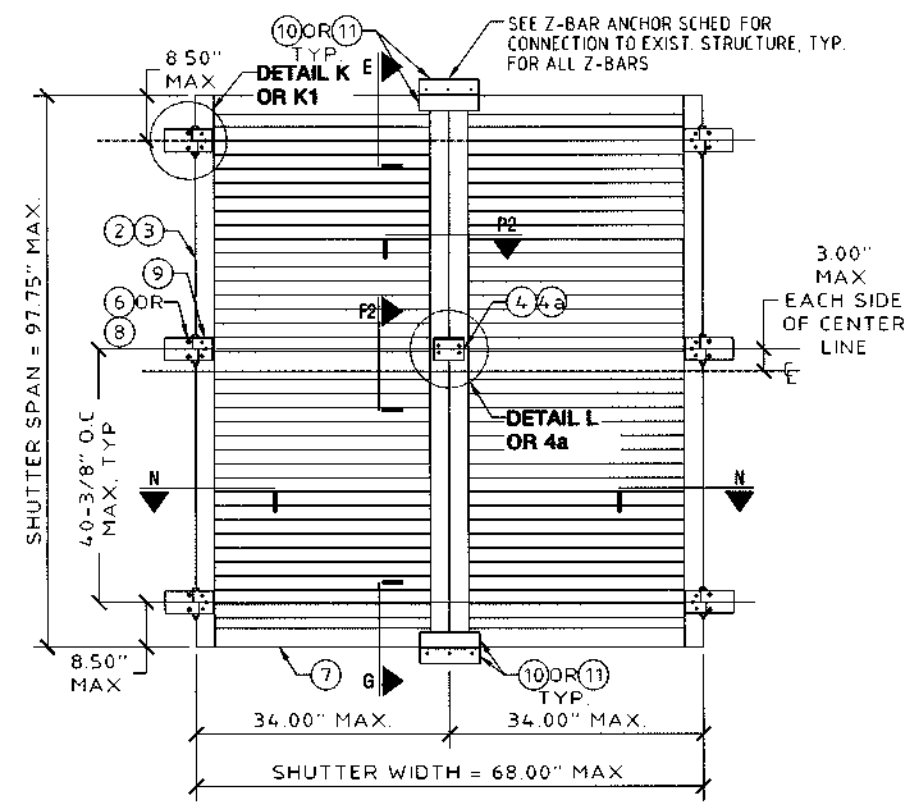
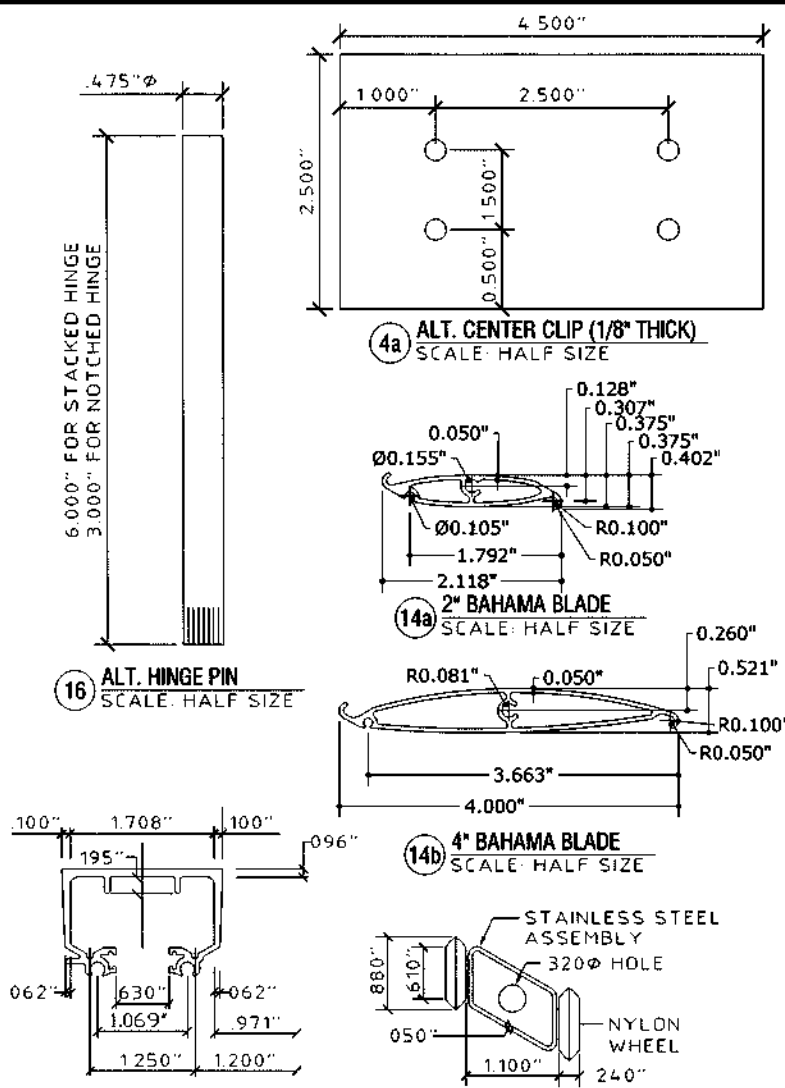
REV	DATE	BY	CHKD	DESCRIPTION
1	12/20/12	KL	FLB	ISSUE (12-TOM-05)
2	04/18/15	RWN	TSB	FBC UPDATE
3	08/28/16	RWN	FLB	REV - ADD 4" BLADE
4	08-07-17	RWN	FLB	REV (2017 FBC)

REMARKS: THIS DOCUMENT IS THE PROPERTY OF BERNARDO ENGINEERING EXPRESS. IT IS TO BE USED ONLY FOR THE PROJECT AND SITE SPECIFICALLY IDENTIFIED HEREIN. ANY REUSE OR MODIFICATION OF THIS DOCUMENT WITHOUT WRITTEN CONSENT OF FRANK L. BERNARDO, P.E. IS STRICTLY PROHIBITED. ANY VIOLATION OF THESE TERMS WILL BE PROSECUTED TO THE FULL EXTENT OF THE LAW.

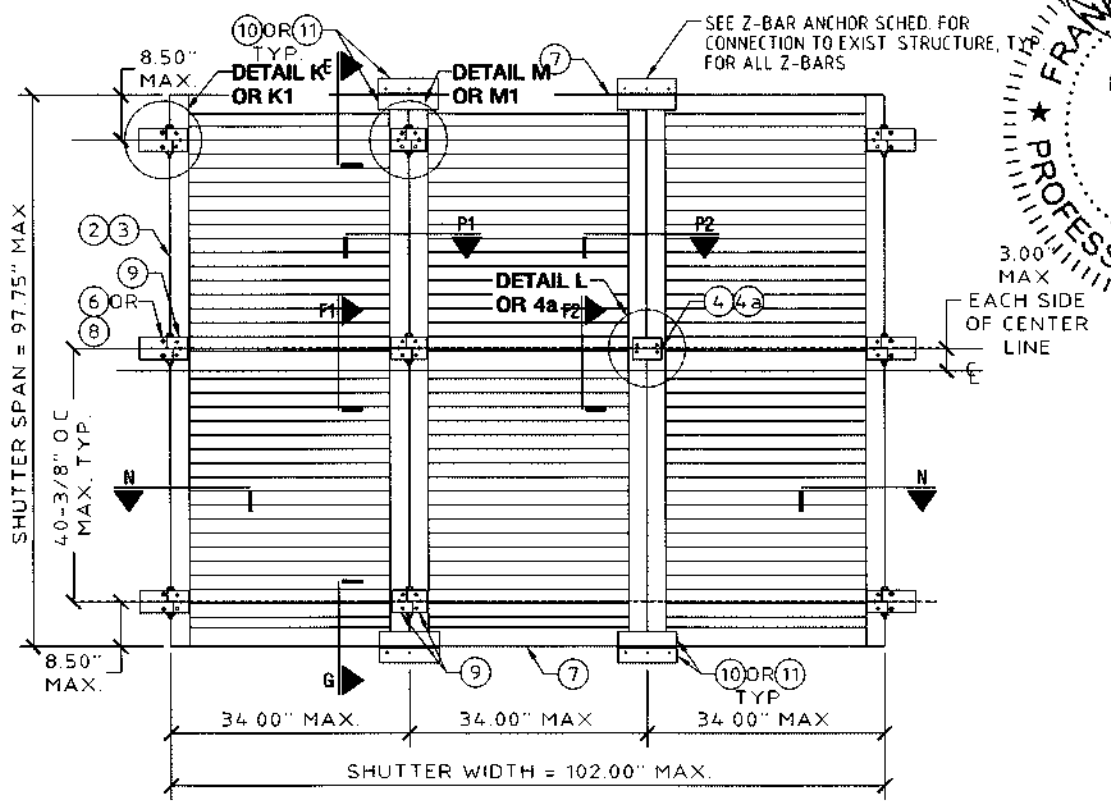
COPYRIGHT FRANK L. BERNARDO P.E.

15-2341

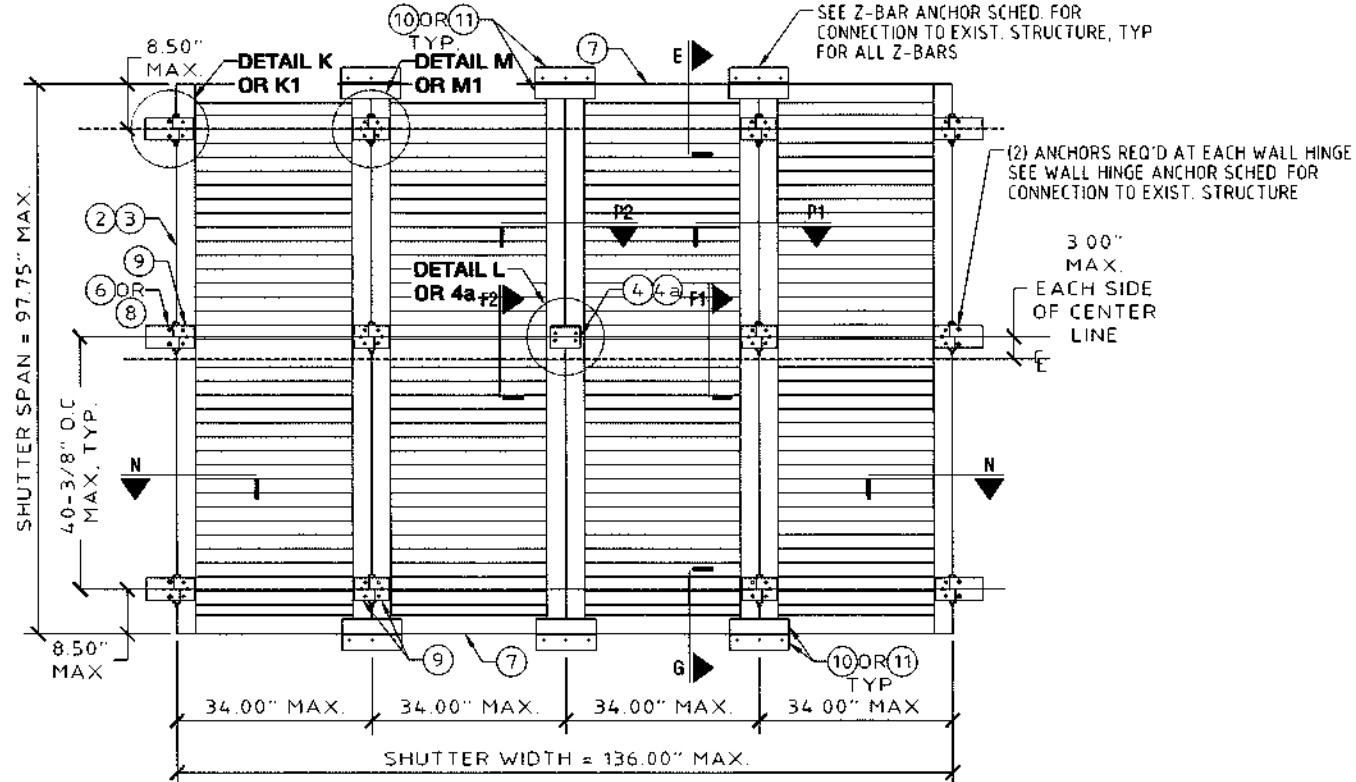
SCALE: _____
 PAGE DESCRIPTION: _____



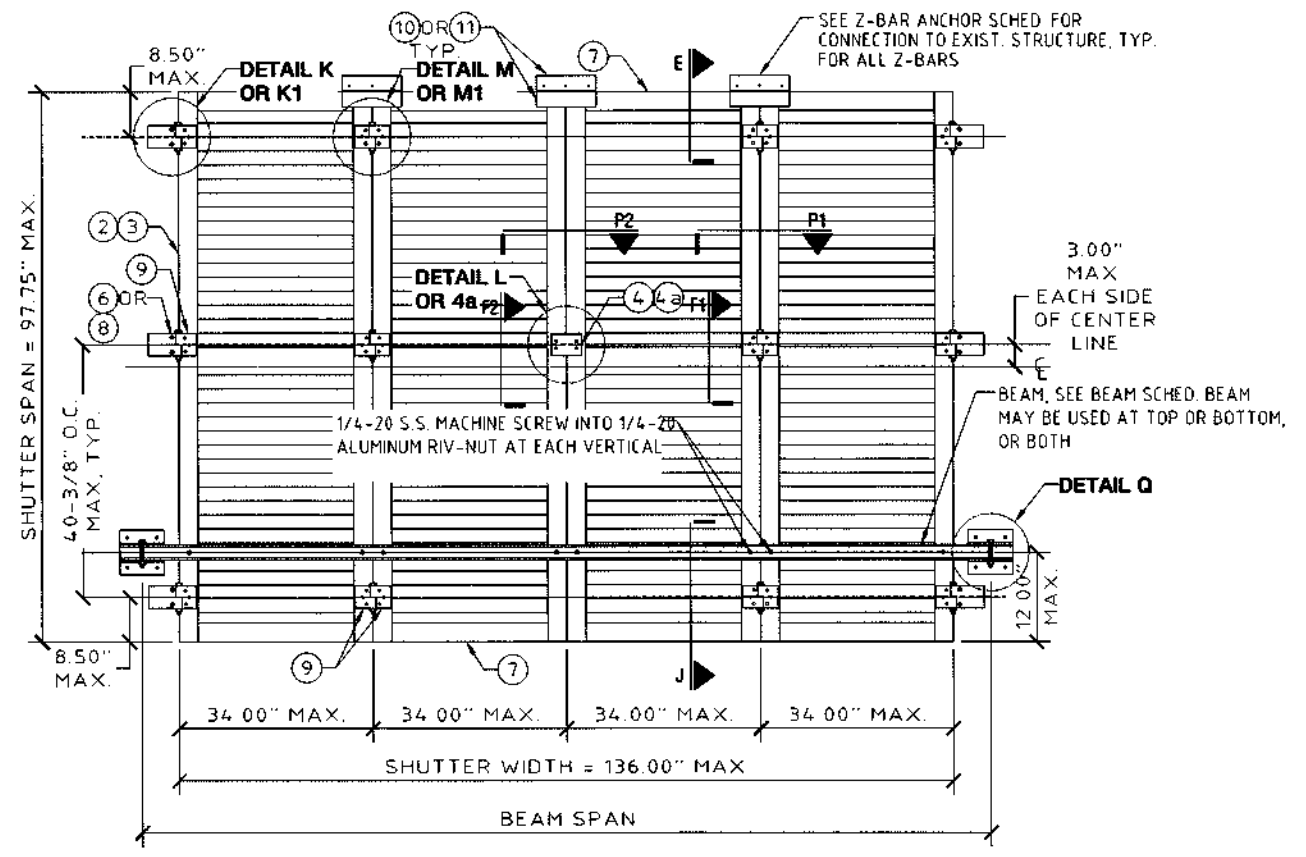
(A) TYPICAL ELEVATION 2 PANELS
 SCALE: 1/2" = 1'-0"



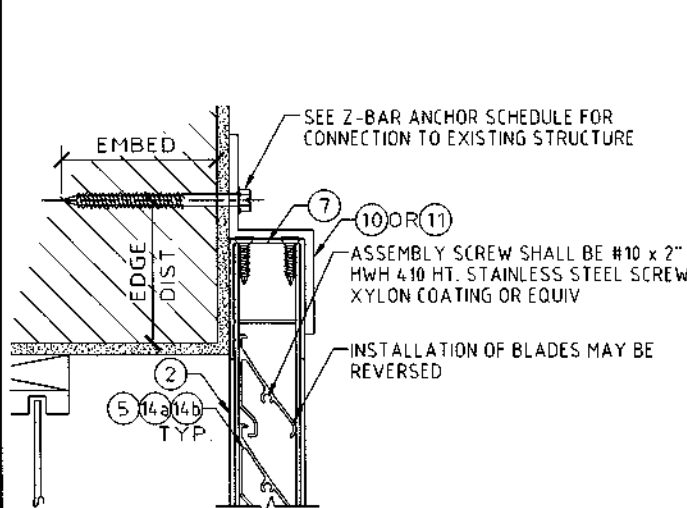
(B) TYPICAL ELEVATION 3 PANELS
 SCALE: 1/2" = 1'-0"



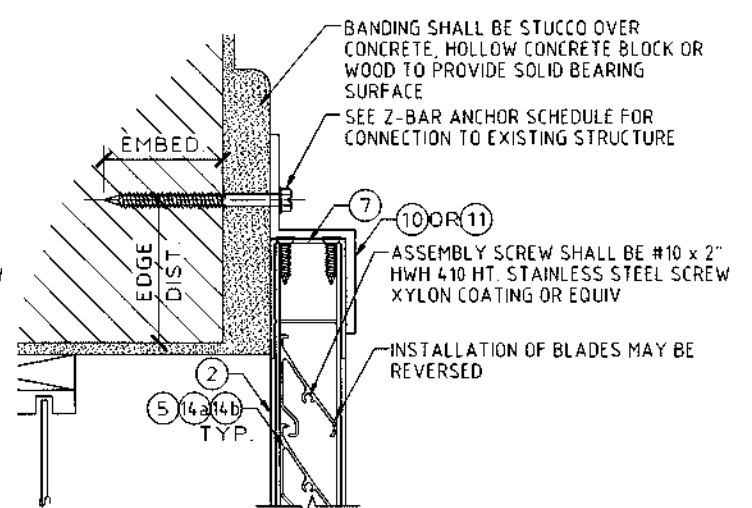
(C) TYPICAL ELEVATION 4 PANELS
 SCALE: 1/2" = 1'-0"



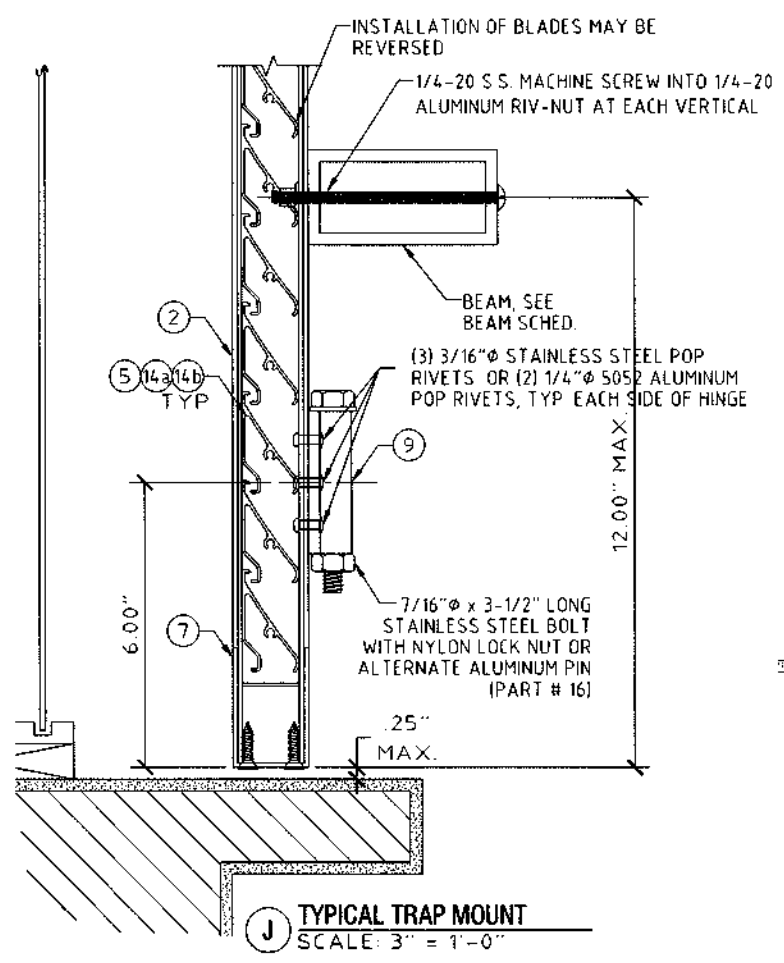
(D) TYPICAL ELEVATION WITH BEAM (2, 3, OR 4 PANELS)
 SCALE: 1/2" = 1'-0"



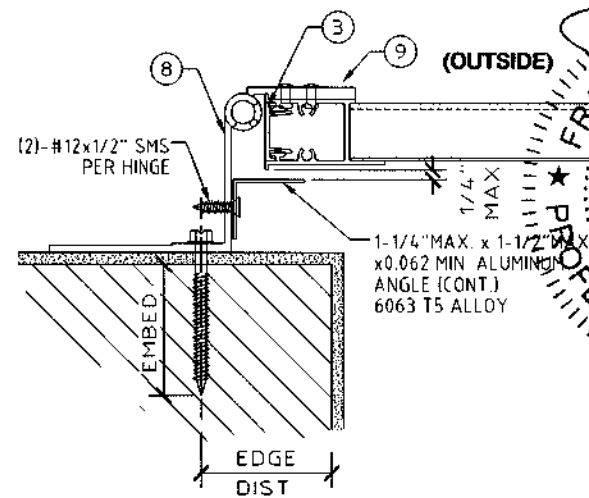
E1 TYPICAL TOP WALL MOUNT
SCALE: 3" = 1'-0"



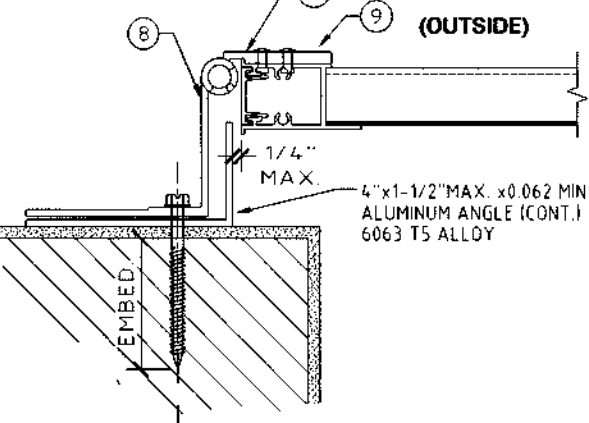
E2 ALTERNATE TOP WALL MOUNT
SCALE: 3" = 1'-0"



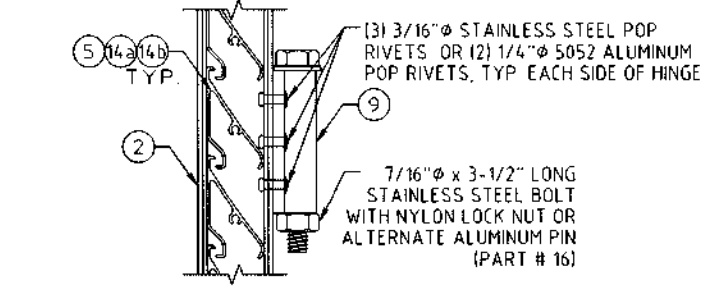
J TYPICAL TRAP MOUNT
SCALE: 3" = 1'-0"



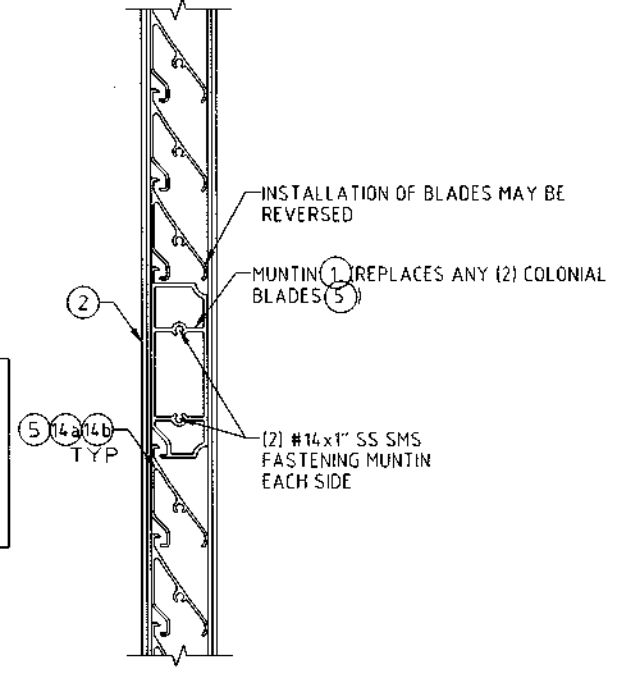
K SIDE CLOSURE DETAIL
SCALE: 3" = 1'-0"



Ka ALTERNATE SIDE CLOSURE DETAIL
SCALE: 3" = 1'-0"

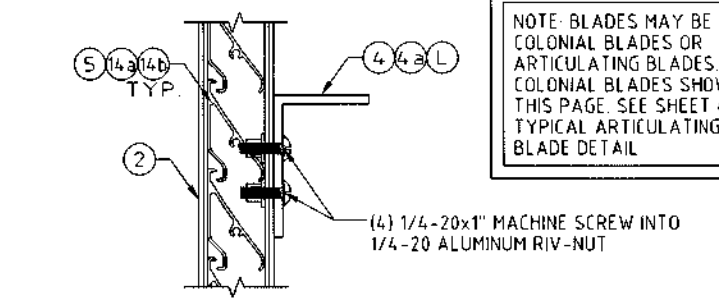


F1 TYPICAL PANEL HINGE CONNECTION
SCALE: 3" = 1'-0"

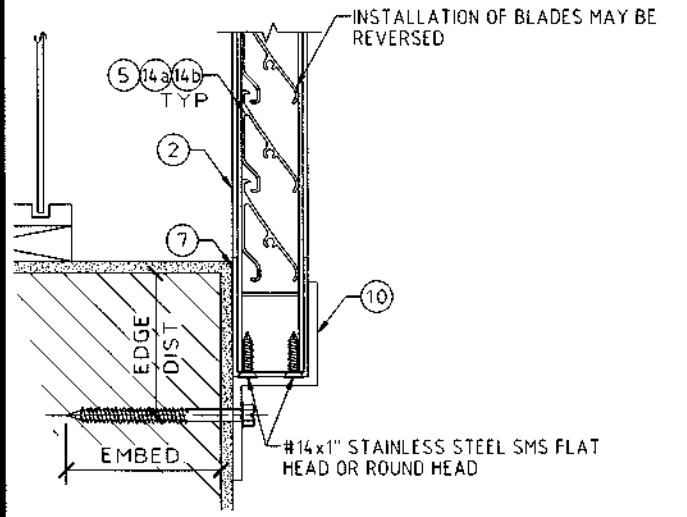


H ALTERNATE BLADE
SCALE: 3" = 1'-0"

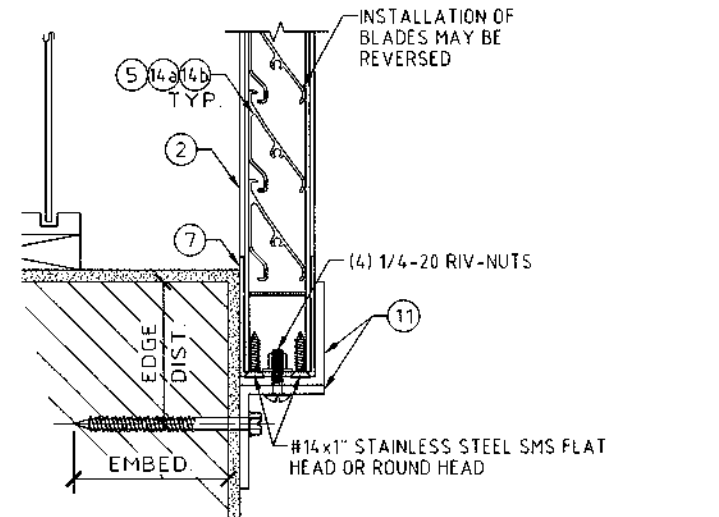
NOTE: BLADES MAY BE COLONIAL BLADES OR ARTICULATING BLADES. COLONIAL BLADES SHOWN ON THIS PAGE. SEE SHEET 4 FOR TYPICAL ARTICULATING BLADE DETAIL.



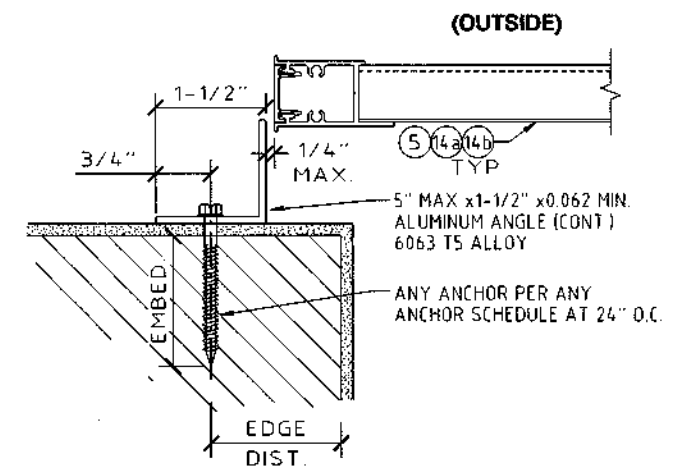
F2 TYPICAL CENTER CLIP CONNECTION
SCALE: 3" = 1'-0"



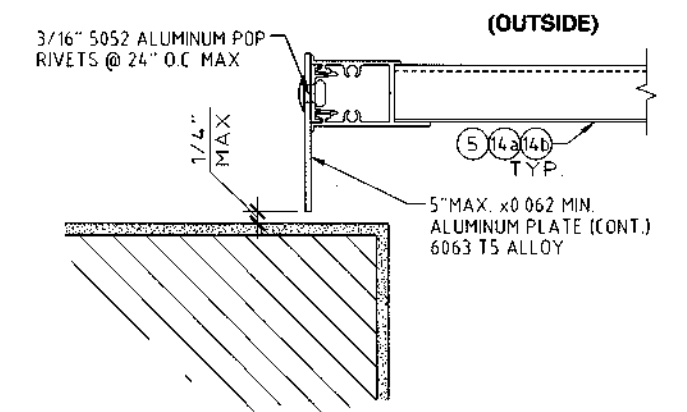
G1 TYPICAL BOTTOM WALL MOUNT
SCALE: 3" = 1'-0"



G2 ALTERNATE WALL MOUNT
SCALE: 3" = 1'-0"



Kb SLIDING PANEL SIDE CLOSURE DETAIL
N.T.S.



Kc SLIDING PANEL SIDE ALTERNATE CLOSURE DETAIL
N.T.S.

FRANK L. BENNARDO, P.E.
#PE0046549
08/09/2017
No. PE0046549
PROFESSIONAL ENGINEERING
CORPORATE OFFICE:
160 SW 12th AVE., SUITE 106
DEERFIELD BEACH, FL 33442
P: (954) 354-0660 F: (954) 354-0661
E: HELLO@ENGINEERINGEXPRESS.COM
ENGINEERINGEXPRESS.COM
CERT OF AUTH. #9885

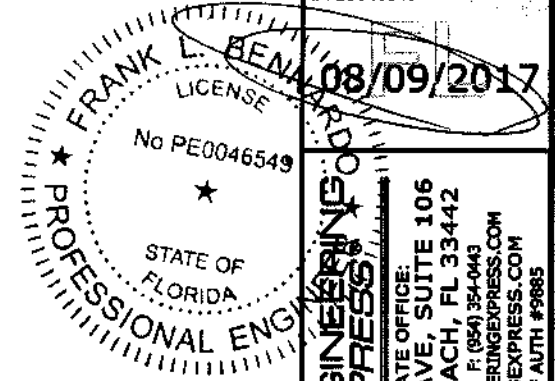
Town & Country
INDUSTRIES
Wholesale Aluminum and Building Products
A Division of ABC Supply Co., Inc.
400 WEST MCNAB ROAD FT. LAUDERDALE, FL 33309
FLORIDA PRODUCT APPROVAL #16219.1

DRWN	CHKD	DATE
KL	FLB	12/20/12
RWN	TSB	04/18/16
RWN	FLB	08/28/16
RWN	FLB	09-07-17

REMARKS:
1. INT ISSUE (12-TCK-06)
2. FRC UPDATE
3. REV - ADD # BLADE
4. REV (2017 FBC)

THIS DOCUMENT IS THE PROPERTY OF FRANK L. BENNARDO, P.E. AND SHALL BE REPRODUCED IN WHOLE OR IN PART WITHOUT WRITTEN CONSENT OF FRANK L. BENNARDO, P.E. ALL INFORMATION, INCLUDING, BUT NOT LIMITED TO, THE INFORMATION CONTAINED HEREIN IS UNCLASSIFIED AND IS NOT TO BE RELEASED OR DISSEMINATED TO THE PUBLIC.

COPYRIGHT FRANK L. BENNARDO P.E.
15-2341
SCALE:
PAGE DESCRIPTION:
3



ENGINEERING EXPRESS
CORPORATE OFFICE:
160 SW 12th AVE, SUITE 106
DEERFIELD BEACH, FL 33442
P: (954) 354-0660 F: (954) 354-0443
E: HELLO@ENGINEERINGEXPRESS.COM
ENGINEERINGEXPRESS.COM
CERT OF AUTH #9885

Town & Country INDUSTRIES
Wholesale Aluminum and Building Products
A Division of ABC Supply Co., Inc.
400 WEST MCNAB ROAD FT. LAUDERDALE, FL 33309
FLORIDA PRODUCT APPROVAL #16219.1

REMARKS	DRWN	CHKD	DATE
INIT ISSUE (12-TOM-06)	KL	FLB	12/20/12
FPC UPDATE	RWN	TSS	04/18/16
REV - ADD "F" BLADE	RWN	FLB	08/28/16
REV (2017 FPC)	RWN	FLB	08-07-17

THIS DOCUMENT IS THE PROPERTY OF FRANK L. BENNARDO, P.E. AND SHALL NOT BE REPRODUCED IN WHOLE OR IN PART WITHOUT WRITTEN CONSENT OF FRANK L. BENNARDO, P.E. - ALTERNATE. APPROVED FOR CONSTRUCTION ON OTHER MATERIALS AS THIS DOCUMENT IS NOT POWERED AND INFLUENCE ON CONSTRUCTION.

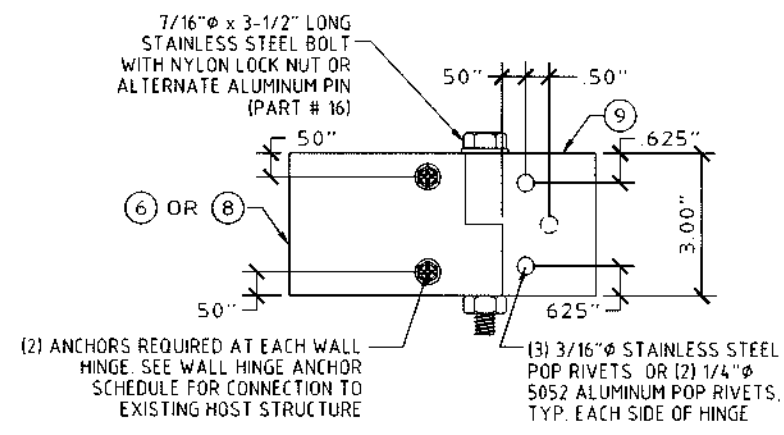
COPYRIGHT FRANK L. BENNARDO P.E.

15-2341

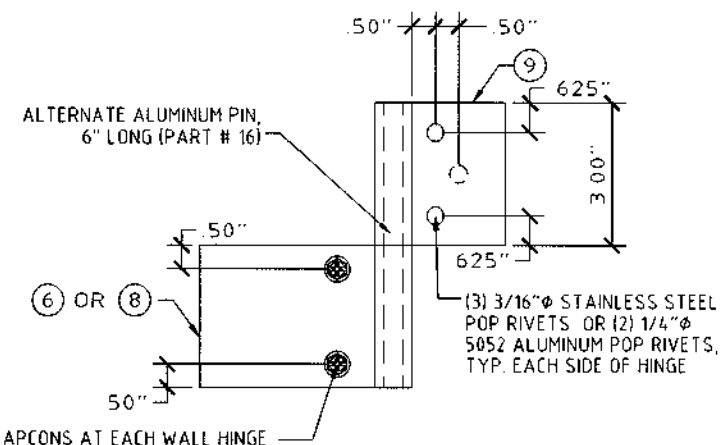
SCALE: _____

PAGE DESCRIPTION: _____

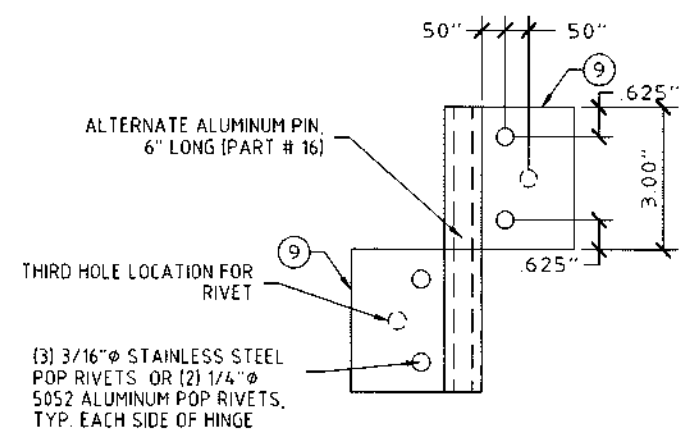
4



(K) TYPICAL WALL HINGE
SCALE: 3" = 1'-0"



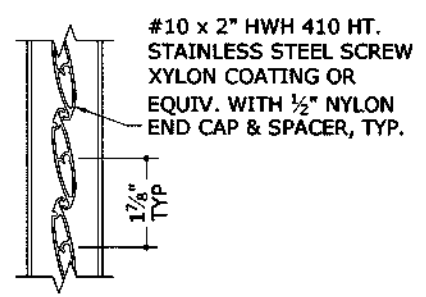
(K1) ALTERNATE STACKED WALL HINGE
SCALE: 3" = 1'-0"



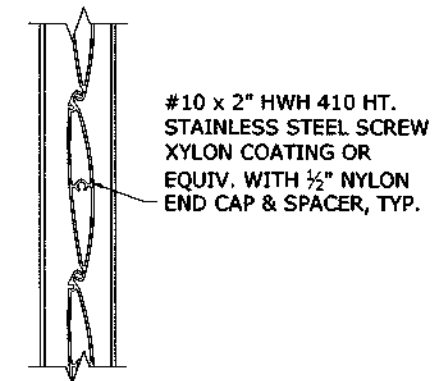
(M1) ALTERNATE STACKED PANEL HINGE
SCALE: 3" = 1'-0"

WALL HINGE ANCHOR SCHEDULE:

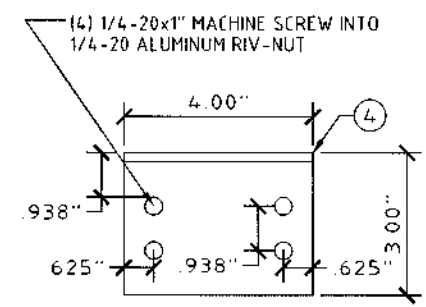
- TO 3192 PSI MIN. CONCRETE:**
 - 1/4" ITW SS TAPCON W/ 1 3/4" MIN. EMBEDMENT AND 2-1/2" MIN. EDGE DISTANCE.
 - 5/16" ITW TAPCON XL W/ 1-3/4" MIN. EMBEDMENT AND 2-1/2" MIN. EDGE DISTANCE.
- TO GROUT-FILLED CONCRETE BLOCK:**
 - 1/4" ELCO ULTRACON W/ 2-1/4" MIN. EMBEDMENT AND 2-1/2" MIN. EDGE DISTANCE.
 - 5/16" ITW TAPCON XL W/ 1-3/4" MIN. EMBEDMENT AND 4" MIN. EDGE DISTANCE.
- TO G=0.42 MIN. WOOD HOST STRUCTURE:**
 - 1/4" LAG SCREWS WITH 1-1/2" MIN. THREAD PENETRATION AND 3/4" MIN. EDGE DISTANCE.
 - #14 WOOD SCREW OR SMS W/ 1-1/2" MIN. THREAD PENETRATION AND 3/4" MIN. EDGE DISTANCE.



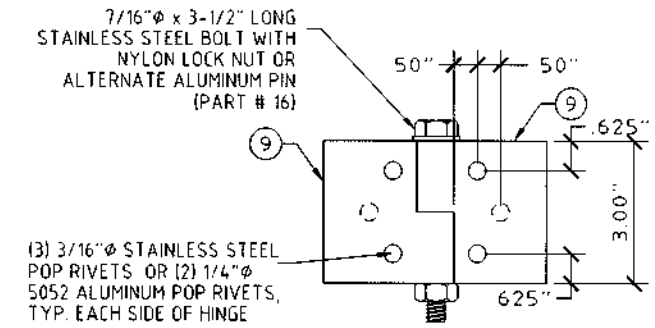
(BH1) TYPICAL 2" ARTICULATING LOUVER ATTACHMENT
SCALE: N.T.S.



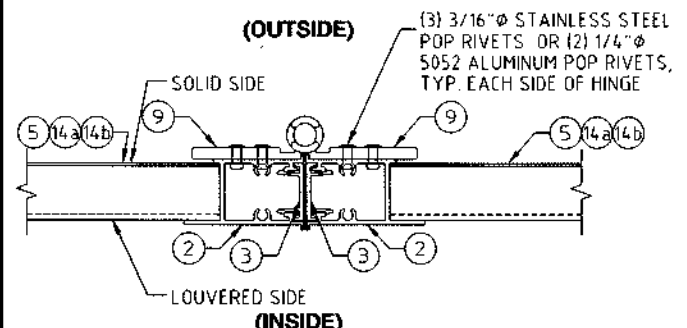
(BH2) TYPICAL 4" ARTICULATING LOUVER ATTACHMENT
SCALE: N.T.S.



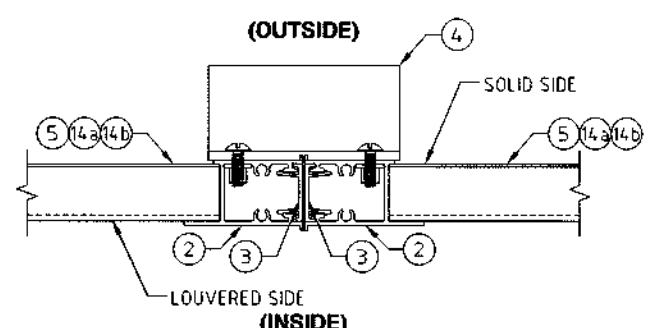
(L) TYPICAL CENTER CLIP
SCALE: 3" = 1'-0"



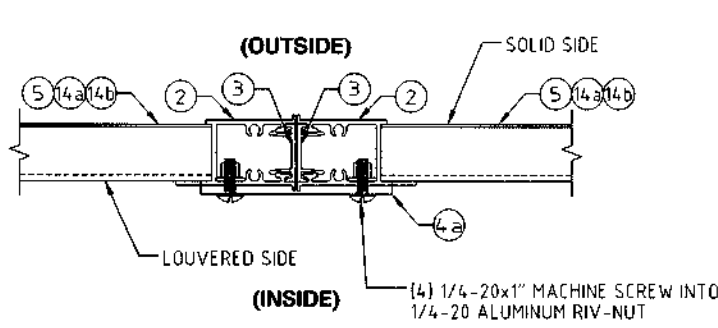
(M) TYPICAL PANEL HINGE
SCALE: 3" = 1'-0"



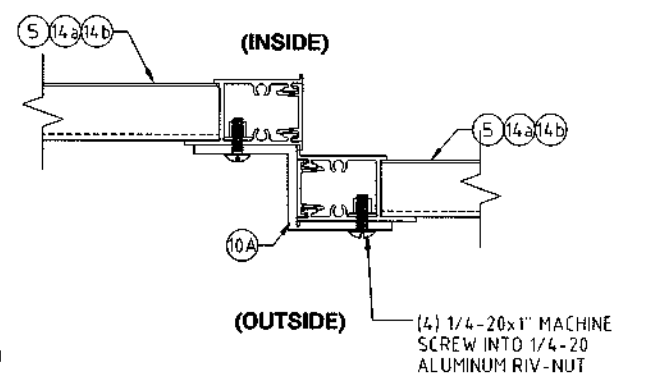
(P1) TYPICAL PANEL HINGE CONNECTION
SCALE: 3" = 1'-0"



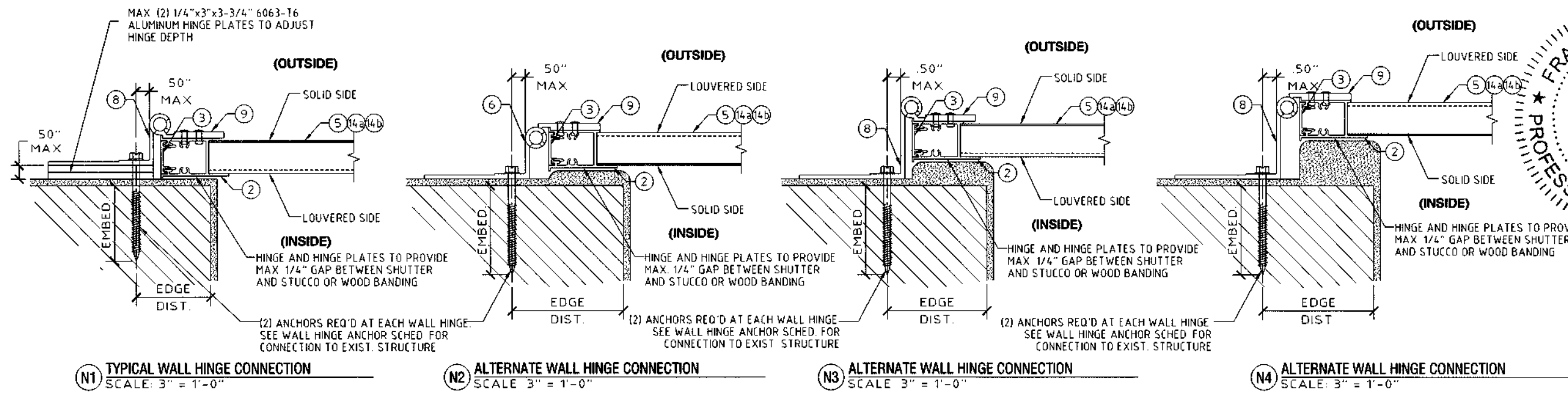
(P2) TYPICAL CENTER CLIP CONNECTION
SCALE: 3" = 1'-0"



(P2) ALTERNATE CENTER CLIP CONNECTION
SCALE: 3" = 1'-0"



(L1) SLIDING PANEL OFFSET CLIP
N.T.S.



FRANK L. BERNARDO, P.E.
#PE0046549

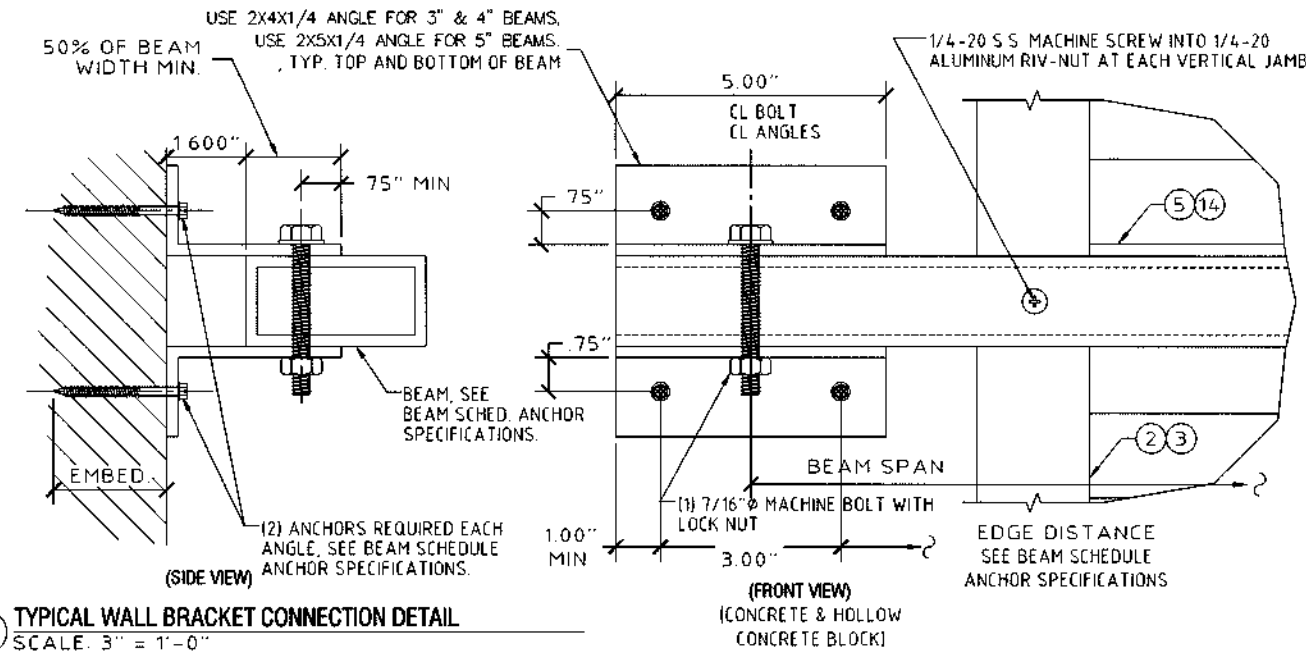
PROFESSIONAL ENGINEER
STATE OF FLORIDA
No PE0046549
08/09/2017

ENGINEERING EXPRESS
CORPORATE OFFICE: 160 SW 12th Ave, Suite 106
DEERFIELD BEACH, FL 33442
P: (954) 354-0660 F: (954) 354-0443
E: HELLO@ENGINEERINGEXPRESS.COM
ENGINEERINGEXPRESS.COM
CERT OF AUTH #9885

(N1) TYPICAL WALL HINGE CONNECTION SCALE: 3" = 1'-0"
(N2) ALTERNATE WALL HINGE CONNECTION SCALE: 3" = 1'-0"
(N3) ALTERNATE WALL HINGE CONNECTION SCALE: 3" = 1'-0"
(N4) ALTERNATE WALL HINGE CONNECTION SCALE: 3" = 1'-0"

BEAM SCHEDULE

BEAM SIZE	SHUTTER SPAN	BEAM SPAN	WALL BRACKET ANCHOR TYPES		
			CONCRETE (3323 PSI MIN)	HOLLOW CONCRETE BLOCK	WOOD (G=0.42 MIN.)
2"x3"x1/8" (6063-T6)	8'-1.75"	6'-0"	A, B, C	A, B, C	B, C
	6'-8"	6'-8"	A, B, C	A, B, C	B, C
	5'-10"	7'-0"	A, B, C	A, B, C	B, C
2"x4"x1/8" (6063-T6)	8'-1.75"	7'-5"	A, B, C	A, C	B, C
	6'-8"	8'-1"	A, B, C	A, C	B, C
	5'-10"	8'-8"	A, B, C	A, B, C	B, C
2"x5"x1/8" (6063-T6)	8'-1.75"	8'-8"	A, B, C	A, C	B, C
	6'-8"	9'-5"	A, B, C	A, C	B, C
	5'-10"	9'-11"	A, B, C	A, C	B, C
2"x4"x1/4" (6061-T6)	8'-1.75"	11'-3"	A, B, C	C	B, C
	6'-8"	12'-2"	A, B, C	C	B, C
	5'-10"	12'-6"	A, B, C	A, C	B, C



- ANCHOR TYPES FOR USE WITH BEAM**
SCHEDULE, (4) ANCHORS PER BEAM END
- A. 1/4" ALL POINTS SOLID-SET ANCHORS
 FOR CONCRETE: 7/8" MIN. EMBEDMENT, 3" MIN. EDGE DISTANCE, AND 3" MIN. SPACING.
 FOR HOLLOW CONCRETE BLOCK: 7/8" MIN. EMBEDMENT, 3" MIN. EDGE DISTANCE, AND 3" MIN. SPACING.
 - B. 1/4" ELCO MALE/FEMALE PANELMATE
 FOR CONCRETE: 2" MIN. EMBEDMENT, 3" MIN. EDGE DISTANCE, AND 3" MIN. SPACING.
 FOR HOLLOW CONCRETE BLOCK: 1-1/4" MIN. EMBEDMENT, 3" MIN. EDGE DISTANCE, AND 3" MIN. SPACING.
 FOR WOOD: 1-7/8" MIN. EMBEDMENT, 3/4" MIN. EDGE DISTANCE, 1.5" MIN. SPACING.
 - C. 1/4" ITW TAPCON SG
 FOR CONCRETE: 1-3/4" MIN. EMBEDMENT, 2-1/2" MIN. EDGE DISTANCE, 3" MIN. SPACING.
 FOR HOLLOW CONCRETE BLOCK: 1-1/4" MIN. EMBEDMENT, 2-1/2" MIN. EDGE DISTANCE, 3" MIN. SPACING.
 FOR WOOD: 1-1/2" MIN. EMBEDMENT, 3/4" MIN. EDGE DISTANCE, 1.5" MIN. SPACING.

Town & Country INDUSTRIES
 Wholesale Aluminum and Building Products
 A Division of ABC Supply Co., Inc.

400 WEST MCNAB ROAD FT. LAUDERDALE, FL 33309
 FLORIDA PRODUCT APPROVAL #16219.1

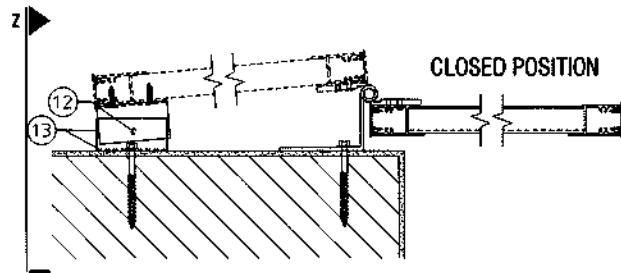
REMARKS	DRWN	CHKD	DATE
INT ISSUE (12-TOM-05)	KL	FLB	12/20/12
FPC UPDATE	FRN	TSS	04/16/15
REV - ADD 'F' BLADE	FRN	FLB	06/28/16
REV (2017 FBC)	FRN	FLB	08-07-17

THIS DOCUMENT IS THE PROPERTY OF FRANK L. BERNARDO, P.E. AND SHALL NOT BE REPRODUCED IN WHOLE OR PART WITHOUT WRITTEN CONSENT OF FRANK L. BERNARDO, P.E. ALL REVISIONS, ADDITIONS, DELETIONS OR OTHER CHANGES TO THIS DOCUMENT ARE NOT PERMITTED AND ARE THE PROPERTY OF FRANK L. BERNARDO, P.E.

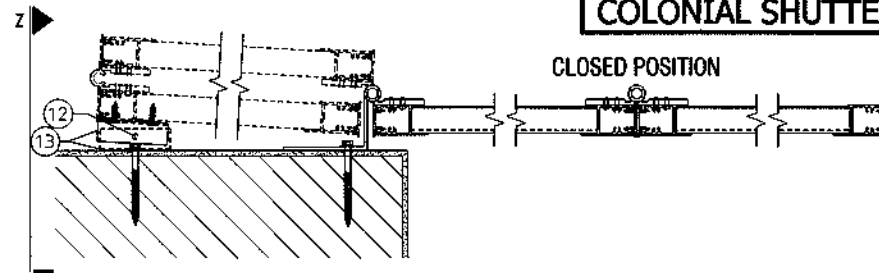
COPYRIGHT FRANK L. BERNARDO P.E.
15-2341
 SCALE:
 PAGE DESCRIPTION:

5

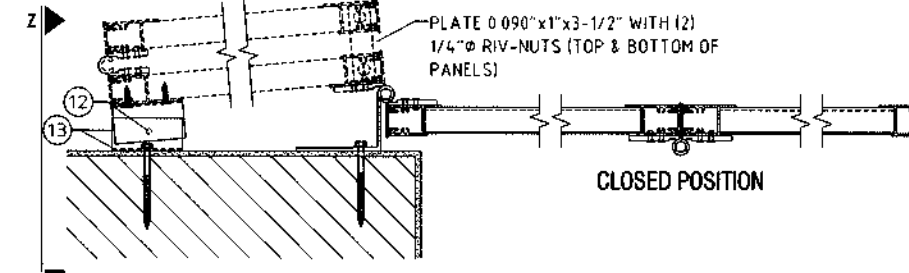
COLONIAL SHUTTER



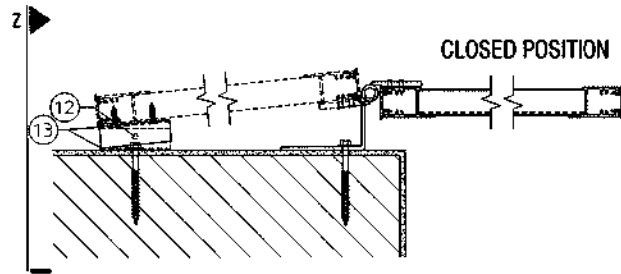
R PLAN VIEW 1
SCALE: 1-1/2" = 1'-0"



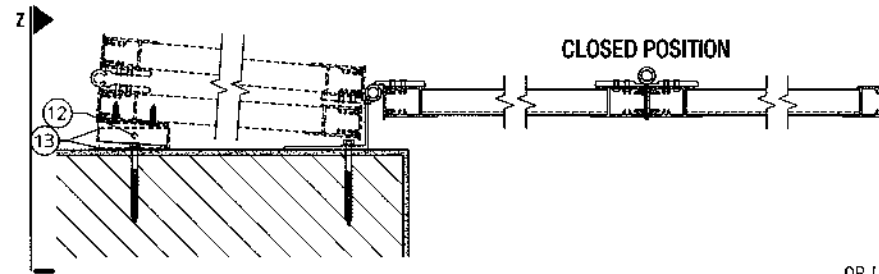
S PLAN VIEW 2
SCALE: 1-1/2" = 1'-0"



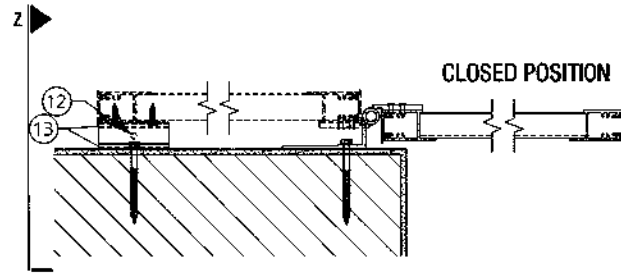
T PLAN VIEW 3
SCALE: 1-1/2" = 1'-0"



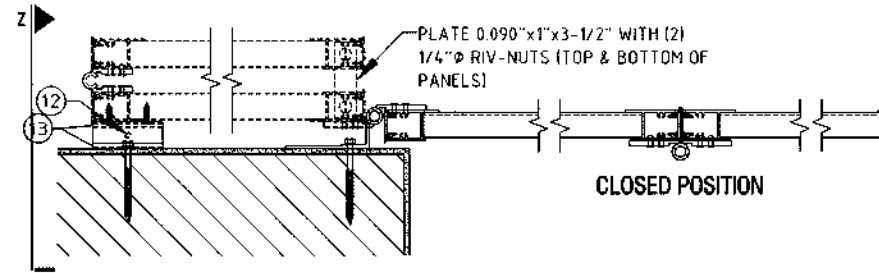
U PLAN VIEW 4
SCALE: 1-1/2" = 1'-0"



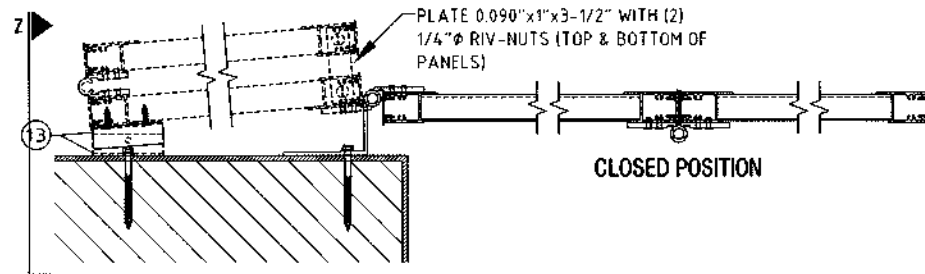
V PLAN VIEW 5
SCALE: 1-1/2" = 1'-0"



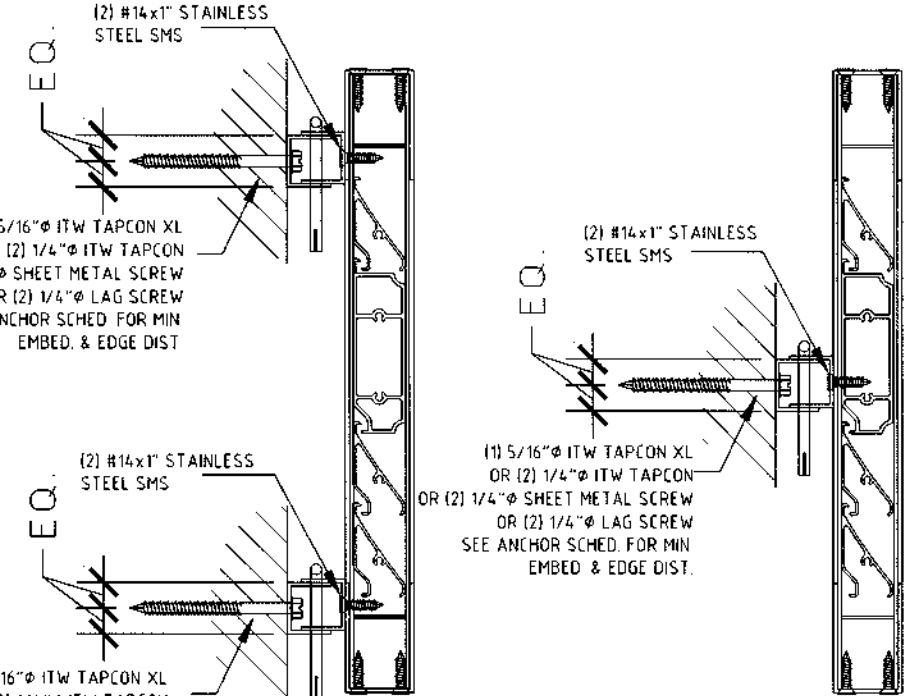
W PLAN VIEW 6
SCALE: 1-1/2" = 1'-0"



X PLAN VIEW 7
SCALE: 1-1/2" = 1'-0"



Y PLAN VIEW 8
SCALE: 1-1/2" = 1'-0"



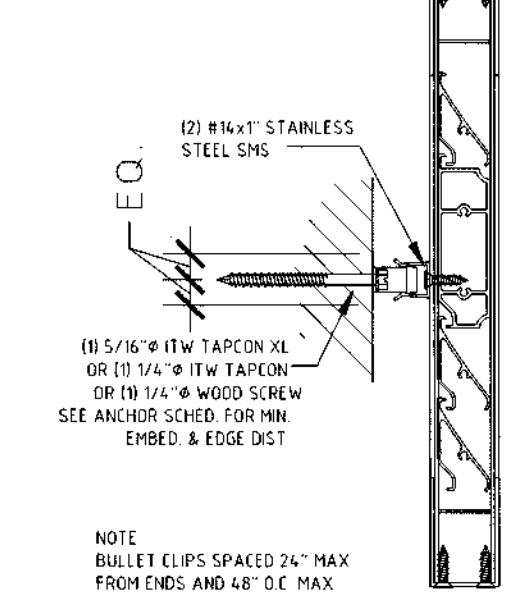
(1) 5/16" ITW TAPCON XL
OR (2) 1/4" ITW TAPCON
OR (2) 1/4" SHEET METAL SCREW
OR (2) 1/4" LAG SCREW
SEE ANCHOR SCHED FOR MIN
EMBED. & EDGE DIST

(1) 5/16" ITW TAPCON XL
OR (2) 1/4" ITW TAPCON
OR (2) 1/4" SHEET METAL SCREW
OR (2) 1/4" LAG SCREW
SEE ANCHOR SCHED FOR MIN
EMBED. & EDGE DIST.

(HINGES NOT SHOWN FOR CLARITY)
(DOUBLE "C" CLIP) **(SINGLE "C" CLIP)**

NOTE
CLIPS REQ'D TOP & BOTTOM FOR SPANS > 69". ONE CLIP REQ'D AT MID-SPAN (±3") FOR SPANS ≤ 69"

X1 OPEN POSITION LOCK W/ "C" CLIP
SCALE: 3" = 1'-0"



(2) #14x1" STAINLESS
STEEL SMS

(1) 5/16" ITW TAPCON XL
OR (1) 1/4" ITW TAPCON
OR (1) 1/4" WOOD SCREW
SEE ANCHOR SCHED. FOR MIN
EMBED. & EDGE DIST

NOTE
BULLET CLIPS SPACED 24" MAX
FROM ENDS AND 48" O.C. MAX

X2 OPEN POSITION LOCK W/ BULLET CLIP
SCALE: 3" = 1'-0"

Z-BAR ANCHOR SCHEDULE:

- TO 3350 PSI MIN. CONCRETE:**
- 1/4" ELCO MALE/FEMALE PANELMATE W/ 2" MIN. EMBEDMENT AND 2-1/2" MIN. EDGE DISTANCE.
 - 1/4" ITW TAPCON SG W/ 1-3/4" MIN. EMBEDMENT AND 2-1/2" MIN. EDGE DISTANCE.
 - 1/4" ALL-POINTS SOLID SET W/ 7/8" MIN. EMBEDMENT AND 2" MIN. EDGE DISTANCE.
- TO HOLLOW CONCRETE BLOCK:**
- 1/4" ELCO MALE/FEMALE PANELMATE W/ 1-1/4" MIN. EMBEDMENT AND 2" MIN. EDGE DISTANCE.
 - 1/4" ITW TAPCON SG W/ 1-1/4" MIN. EMBEDMENT AND 2-1/2" MIN. EDGE DISTANCE.
 - 1/4" ALL-POINTS SOLID SET W/ 7/8" MIN. EMBEDMENT AND 2" MIN. EDGE DISTANCE
- TO G=0.42 MIN. WOOD HOST STRUCTURE:**
- 1/4" HANGER BOLT WITH 1-1/2" MIN. THREAD PENETRATION AND 3/4" MIN. EDGE DISTANCE.
 - 1/4" ELCO MALE/FEMALE PANELMATE W/ 1-7/8" MIN. EMBEDMENT AND 3/4" MIN. EDGE DISTANCE.
 - 1/4" ITW TAPCON SG W/ 1-1/2" MIN. EMBEDMENT AND 3/4" MIN. EDGE DISTANCE.

NOTE: USE (3) ANCHORS PER 8" Z BAR AND (2) PER 4.5" Z BAR

OPEN POSITION LOCK ANCHOR SCHEDULE:

- WITH "C" CLIPS OR DOUBLE "C" CLIPS:**
- TO 2899 PSI MIN. CONCRETE:**
- (1) 5/16" ITW TAPCON XL W/ 1-3/4" MIN. EMBEDMENT AND 2" MIN. EDGE DISTANCE.
- TO 3192 PSI MIN. CONCRETE:**
- (2) 1/4" ITW SS TAPCON W/ 1-3/4" MIN. EMBEDMENT AND 1" MIN. EDGE DISTANCE.
- TO HOLLOW CONCRETE BLOCK:**
- (1) 5/16" ITW TAPCON XL W/ 1-3/4" MIN. EMBEDMENT AND 4" MIN. EDGE DISTANCE.
- TO G=0.42 MIN. WOOD HOST STRUCTURE:**
- (1) 1/4" WOOD SCREWS OR SHEET METAL SCREWS W/ 1-3/4" MIN. THREAD PENETRATION AND 3/4" MIN. EDGE DISTANCE.
 - (2) 1/4" LAG SCREWS W/ 1-1/2" MIN. THREAD PENETRATION AND 3/4" MIN. EDGE DISTANCE.

- WITH BULLET CLIPS:**
- TO 3192 PSI MIN. CONCRETE:**
- (1) 1/4" ITW SS TAPCON W/ 1-3/4" MIN. EMBEDMENT AND 2-1/2" MIN. EDGE DISTANCE.
- TO HOLLOW CONCRETE BLOCK:**
- (1) 5/16" ITW TAPCON XL W/ 1-3/4" MIN. EMBEDMENT AND 4" MIN. EDGE DISTANCE.
- TO G=0.42 MIN. WOOD HOST STRUCTURE:**
- (1) 1/4" WOOD SCREWS OR SHEET METAL SCREWS W/ 1-3/4" MIN. THREAD PENETRATION AND 3/4" MIN. EDGE DISTANCE.

FRANK L. BERNARDO, P.E.
No PE00455
08/09/2017
STATE OF FLORIDA
PROFESSIONAL ENGINEER

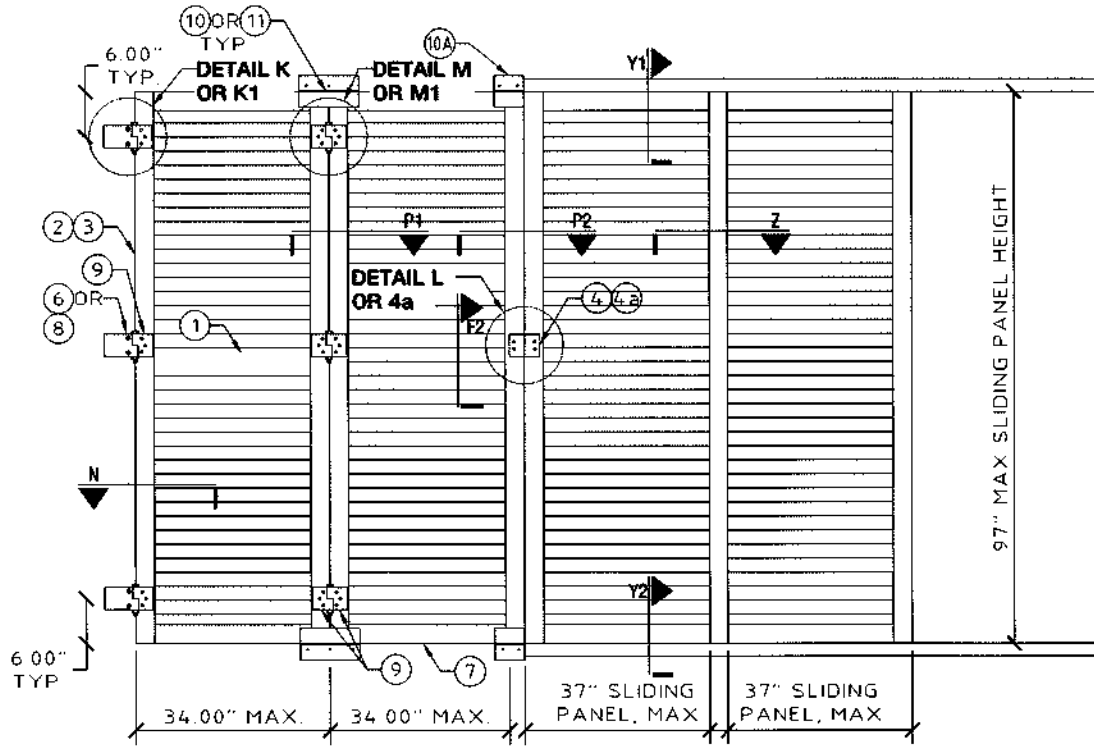
ENGINEERING EXPRESS, INC.
CORPORATE OFFICE: 160 SW 12th AVE, SUITE 406
DEERFIELD BEACH, FL 33442
P: (954) 354-0660 F: (954) 354-0443
E: HELLO@ENGINEERINGEXPRESS.COM
ENGINEERINGEXPRESS.COM
CERT OF AUTH #9885

Town & Country INDUSTRIES
Wholesale Aluminum and Building Products
A Division of ABC Supply Co., Inc.
400 WEST MCNAB ROAD FT. LAUDERDALE, FL 33309
FLORIDA PRODUCT APPROVAL #16219.1

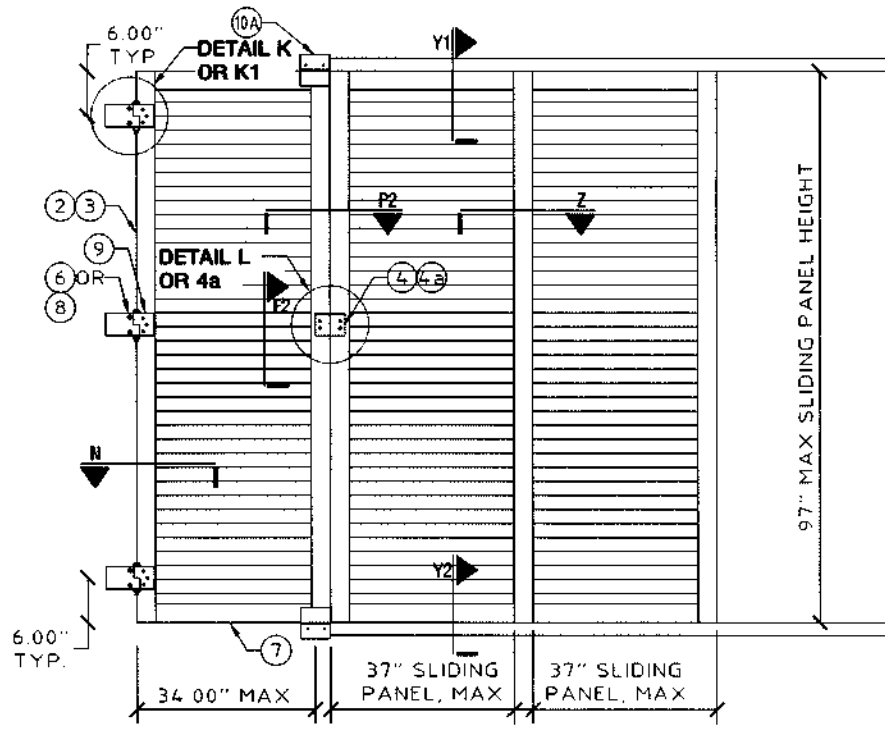
REMARKS	DRWN	CHKD	DATE
INIT ISSUE (12-TOM-05)	KL	FLB	12/20/12
FRC UPDATE	RWN	TSS	04/16/16
REV - ADD F BLADE	RWN	FLB	09/28/16
REV (2017 FRC)	RWN	FLB	09-07-17

THIS DOCUMENT IS THE PROPERTY OF FRANK L. BERNARDO, P.E. AND SHALL NOT BE REPRODUCED IN WHOLE OR PART WITHOUT WRITTEN CONSENT OF FRANK L. BERNARDO, P.E. ALL RIGHTS RESERVED. ADDITIONAL REPRODUCTION OR OTHER VIOLATIONS TO THIS DOCUMENT ARE STRICTLY PROHIBITED AND WILL BE PROSECUTED TO THE FULL EXTENT OF THE LAW.

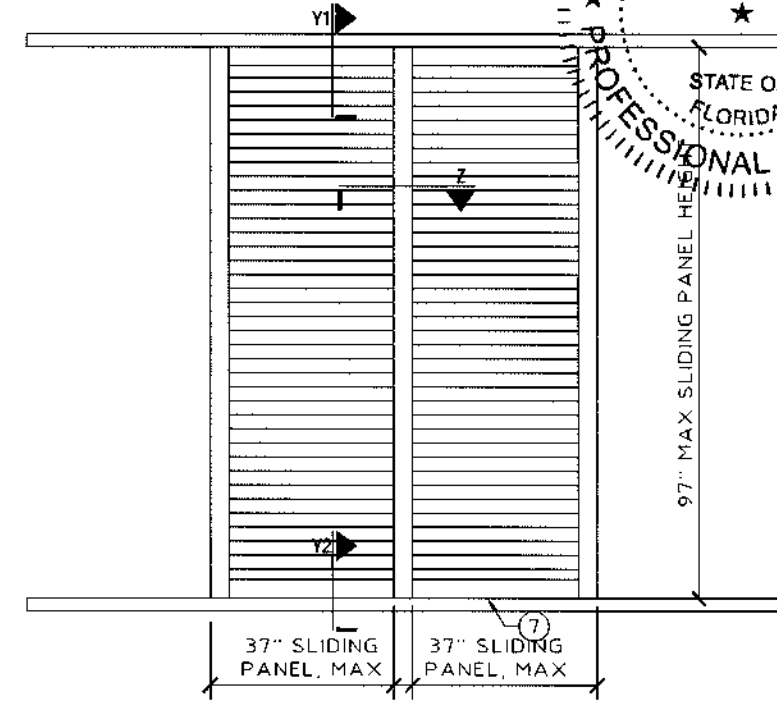
COPYRIGHT FRANK L. BERNARDO P.E.
15-2341
SCALE:
PAGE DESCRIPTION:
6



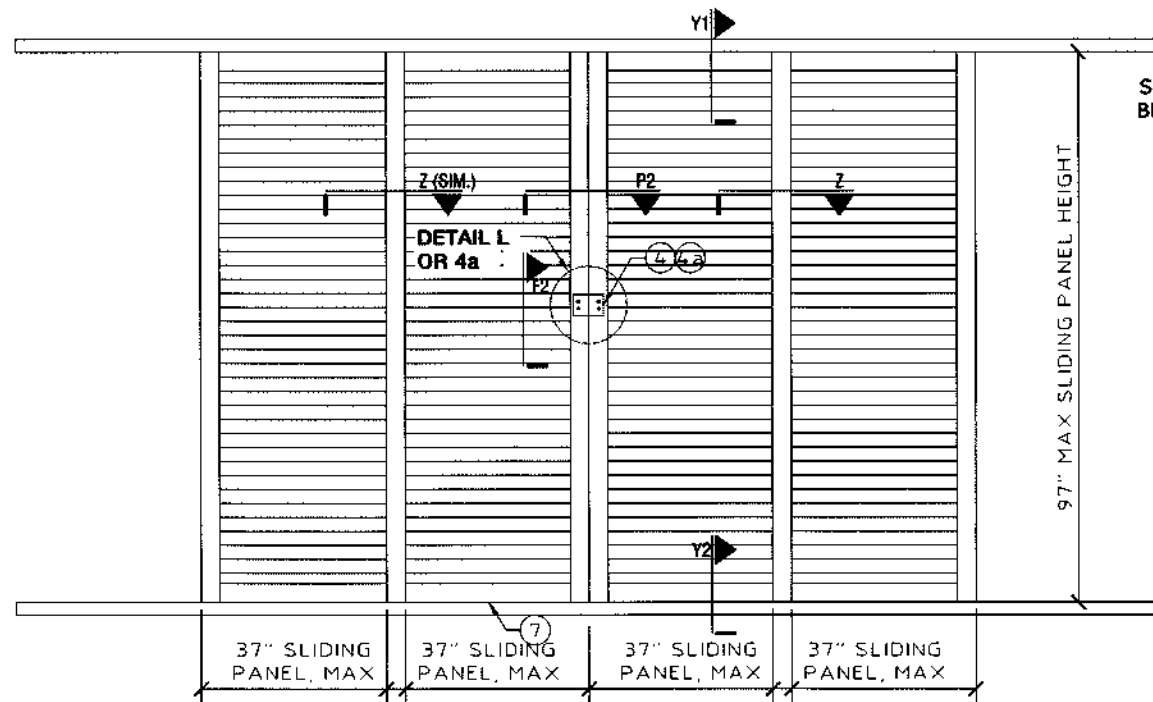
X1 ELEVATION: 2 HINGED AND 2 SLIDING PANELS
SCALE: N.T.S.



X2 ELEVATION: 1 HINGED AND 2 SLIDING PANELS
SCALE: N.T.S.

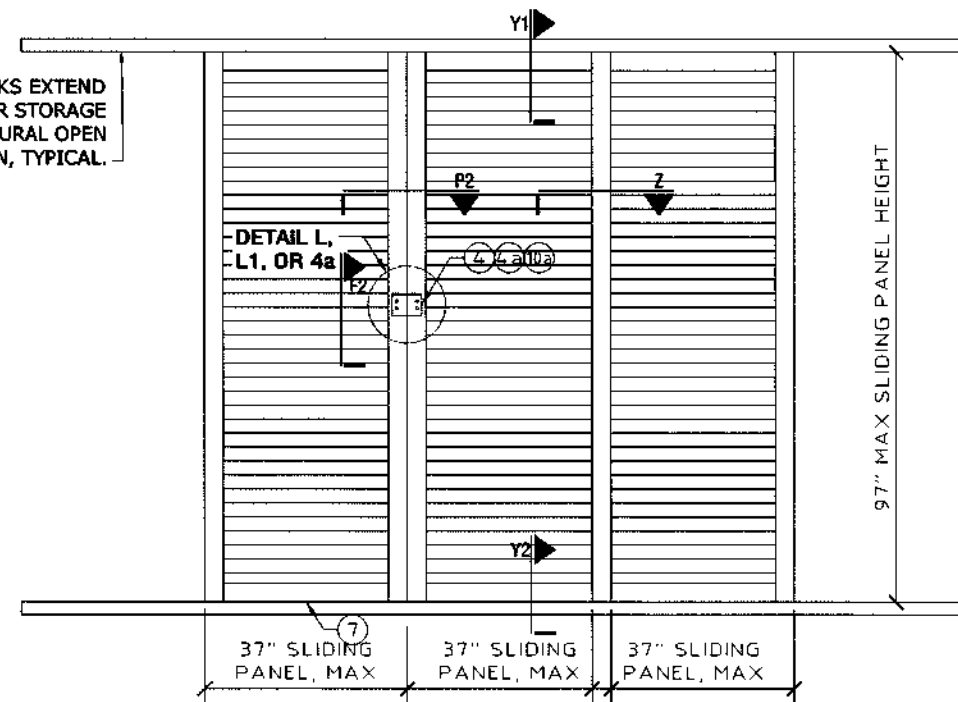


X3 ELEVATION: 2 SLIDING PANELS
SCALE: N.T.S.



X4 ELEVATION: 4 SLIDING PANELS
SCALE: N.T.S.

SLIDING PANEL TRACKS EXTEND BEYOND FOR SHUTTER STORAGE IN NON-STRUCTURAL OPEN POSITION, TYPICAL.



X5 ELEVATION: 3 SLIDING PANELS
SCALE: N.T.S.

NOTE: SLIDING PANEL CONSTRUCTION SAME AS HINGED PANELS

FRANK L. BERNARDO, P.E.
#F0046549
08/09/2017
No PE0046549
STATE OF FLORIDA
PROFESSIONAL ENGINEER

ENGINEERING EXPRESS, INC.
CORPORATE OFFICE:
160 SW 12th AVE, SUITE 106
DEERFIELD BEACH, FL 33442
P: (954) 354-0660 F: (954) 354-0443
E: HELLO@ENGINEERINGEXPRESS.COM
ENGINEERINGEXPRESS.COM
CERT OF AUTH #9885

Town & Country INDUSTRIES
Wholesale Aluminum and Building Products
A Division of ABC Supply Co., Inc.
400 WEST MCNAB ROAD FT. LAUDERDALE, FL 33309
FLORIDA PRODUCT APPROVAL #16219.1

REMARKS	DRWING	CHKD	DATE
INIT ISSUE (12-TDM-06)	KL	FLB	12/20/12
FBC UPDATE	RVN	TSB	04/16/15
REV - ADD 4" BLADE	RVN	FLB	09/28/16
REV (2017 FBC)	RVN	FLB	09-07-17

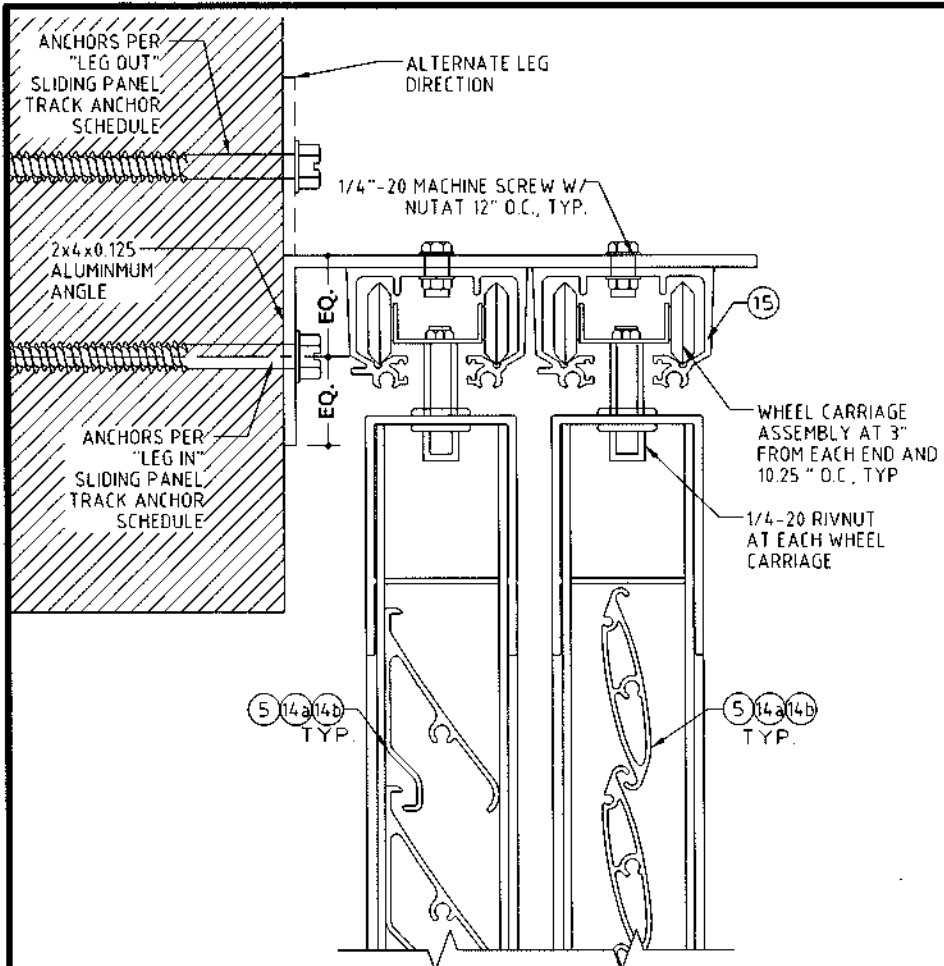
THIS DOCUMENT IS THE PROPERTY OF FRANK L. BERNARDO, P.E. AND SHALL NOT BE REPRODUCED IN WHOLE OR PART WITHOUT WRITTEN CONSENT OF FRANK L. BERNARDO, P.E. ALL REVISIONS, ADDITIONS, DELETIONS, OR OTHER MODIFICATIONS TO THIS DOCUMENT ARE NOT PERMITTED AND WILL BE AT THE USER'S RISK.

COPYRIGHT FRANK L. BERNARDO P.E.

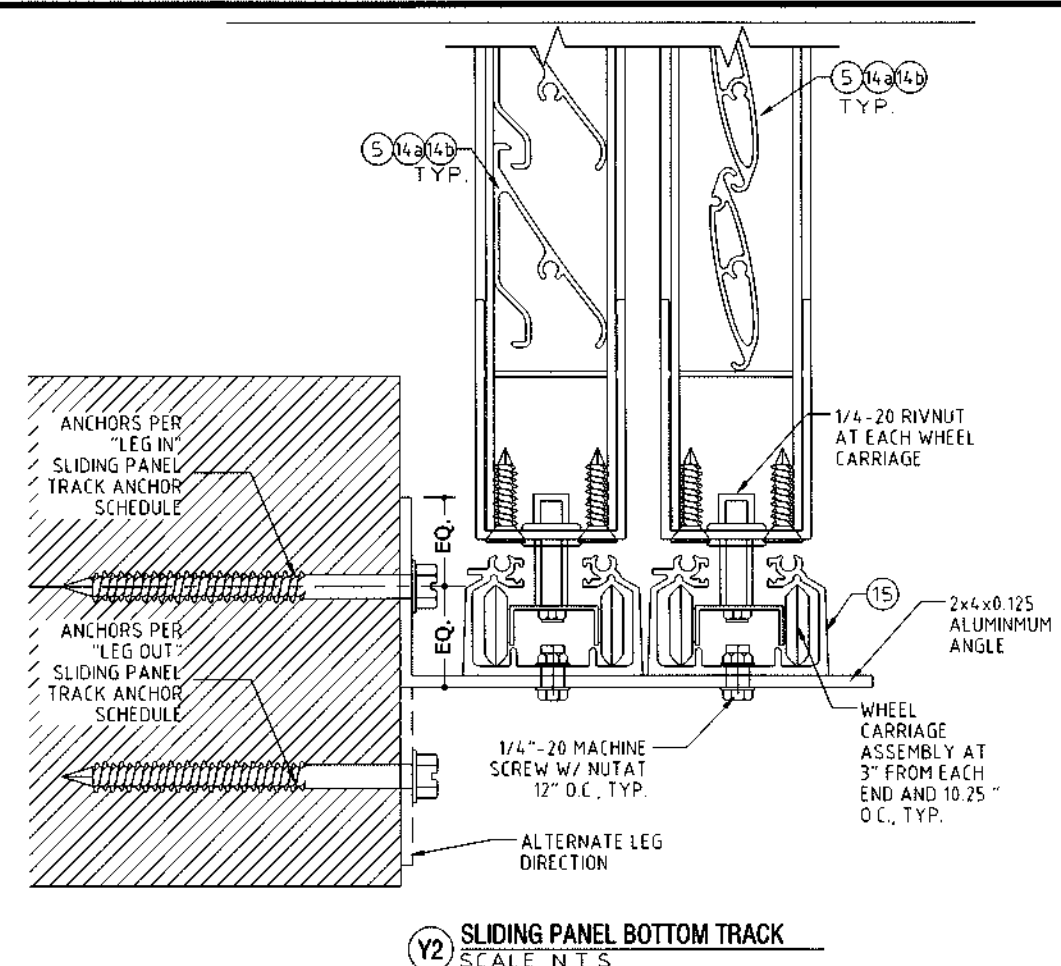
15-2341

SCALE:

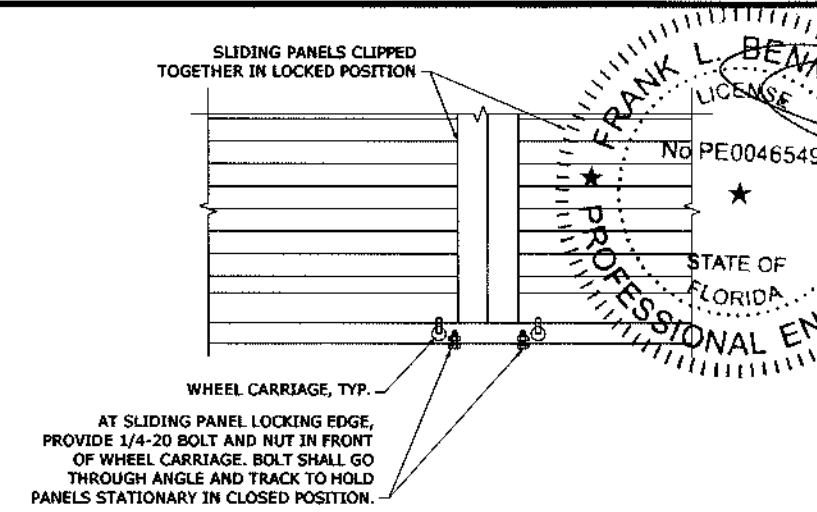
PAGE DESCRIPTION:



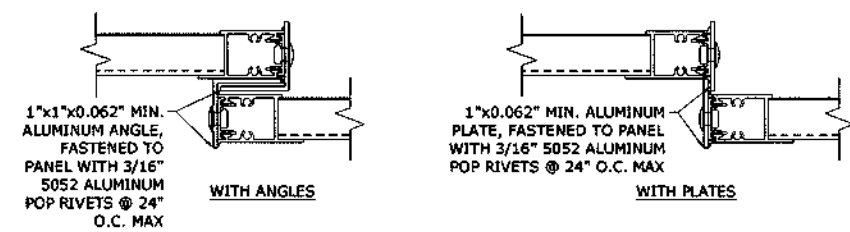
Y1 SLIDING PANEL TOP TRACK
SCALE: N.T.S.



Y2 SLIDING PANEL BOTTOM TRACK
SCALE: N.T.S.



Z WHEEL CARRIAGE STOPS FOR SLIDING PANELS
SCALE: N.T.S.



Z SLIDING PANEL INTERLOCK
SCALE: N.T.S.

"LEG IN" SLIDING PANEL TRACK ANCHOR SCHEDULE:

HOST STRUCTURE	ANCHOR	SLIDING PANEL VERTICAL SPAN					
		36"	48"	60"	72"	84"	97"
CONCRETE (3192 PSI MIN.)	1/4" ITW SS TAPCONS W/ 1-3/4" MIN. EMBEDMENT AND 2-1/2" MIN. EDGE DISTANCE	16" O.C.	16" O.C.	16" O.C.	16" O.C.	16" O.C.	16" O.C.
	1/4" ELCO ULTRACON W/ 1-3/4" MIN. EMBEDMENT AND 2-1/2" MIN. EDGE DISTANCE	16" O.C.	16" O.C.	16" O.C.	16" O.C.	16" O.C.	16" O.C.
CONCRETE (3500 PSI MIN.)	1/4" MILLENNIUM MILLFAST W/ 1-3/4" MIN. EMBEDMENT AND 2-1/2" MIN. EDGE DISTANCE	16" O.C.	16" O.C.	16" O.C.	16" O.C.	16" O.C.	16" O.C.
HOLLOW CONCRETE BLOCK	1/4" MILLENNIUM MILLFAST W/ 1-1/4" MIN. EMBEDMENT AND 2-1/2" MIN. EDGE DISTANCE	16" O.C.	13" O.C.	11" O.C.	9" O.C.	8" O.C.	7" O.C.
	1/4" ITW SS TAPCONS W/ 1-1/4" MIN. EMBEDMENT AND 2-1/2" MIN. EDGE DISTANCE	15" O.C.	12" O.C.	9" O.C.	8" O.C.	7" O.C.	6" O.C.
	1/4" ELCO ULTRACON W/ 1-1/4" MIN. EMBEDMENT AND 2-1/2" MIN. EDGE DISTANCE	16" O.C.	13" O.C.	10" O.C.	8" O.C.	7" O.C.	6" O.C.
	5/16" ITW TAPCON XL W/ 1-3/4" MIN. EMBEDMENT AND 4" MIN. EDGE DISTANCE	16" O.C.	16" O.C.	15" O.C.	13" O.C.	11" O.C.	9" O.C.
	5/16" ELCO ULTRACON W/ 1-1/4" MIN. EMBEDMENT AND 3-1/8" MIN. EDGE DISTANCE	16" O.C.	16" O.C.	16" O.C.	14" O.C.	12" O.C.	10" O.C.
WOOD (G=0.42 MIN.)	1/4" LAG SCREW W/ 1-1/2" MIN. EMBEDMENT AND 3/4" MIN. EDGE DISTANCE	16" O.C.	16" O.C.	16" O.C.	16" O.C.	16" O.C.	16" O.C.
	#14 SMS OR WOOD SCREW W/ 1-1/2" MIN. EMBEDMENT AND 3/4" MIN. EDGE DISTANCE	16" O.C.	16" O.C.	16" O.C.	16" O.C.	15" O.C.	13" O.C.

NOTE: TABLE PROVIDES MAXIMUM ANCHOR SPACING FOR INDICATED ANCHOR TYPES AND SLIDING PANEL VERTICAL SPANS FOR "LEG IN" CONDITION. ANCHORS SHALL BE LOCATED 2" MAX FROM TRACK ENDS.

"LEG OUT" SLIDING PANEL TRACK ANCHOR SCHEDULE:

HOST STRUCTURE	ANCHOR	SLIDING PANEL VERTICAL SPAN					
		36"	48"	60"	72"	84"	97"
CONCRETE (3192 PSI MIN.)	1/4" ITW SS TAPCONS W/ 1-3/4" MIN. EMBEDMENT AND 2-1/2" MIN. EDGE DISTANCE	16" O.C.	13" O.C.	10" O.C.	9" O.C.	7" O.C.	6" O.C.
	1/4" ELCO ULTRACON W/ 1-3/4" MIN. EMBEDMENT AND 2-1/2" MIN. EDGE DISTANCE	16" O.C.	16" O.C.	13" O.C.	11" O.C.	9" O.C.	8" O.C.
CONCRETE (3500 PSI MIN.)	1/4" MILLENNIUM MILLFAST W/ 1-3/4" MIN. EMBEDMENT AND 2-1/2" MIN. EDGE DISTANCE	16" O.C.	13" O.C.	10" O.C.	9" O.C.	7" O.C.	6" O.C.
HOLLOW CONCRETE BLOCK	1/4" MILLENNIUM MILLFAST W/ 1-1/4" MIN. EMBEDMENT AND 2-1/2" MIN. EDGE DISTANCE	7" O.C.	5" O.C.	4" O.C.			
	1/4" ITW SS TAPCONS W/ 1-1/4" MIN. EMBEDMENT AND 2-1/2" MIN. EDGE DISTANCE	6" O.C.	4" O.C.	4" O.C.	3" O.C.	3" O.C.	
	1/4" ELCO ULTRACON W/ 1-1/4" MIN. EMBEDMENT AND 2-1/2" MIN. EDGE DISTANCE	6" O.C.	5" O.C.	4" O.C.	3" O.C.	3" O.C.	
	5/16" ITW TAPCON XL W/ 1-3/4" MIN. EMBEDMENT AND 4" MIN. EDGE DISTANCE	10" O.C.	7" O.C.	6" O.C.	5" O.C.	4" O.C.	4" O.C.
	5/16" ELCO ULTRACON W/ 1-1/4" MIN. EMBEDMENT AND 3-1/8" MIN. EDGE DISTANCE	10" O.C.	8" O.C.	6" O.C.			
WOOD (G=0.42 MIN.)	1/4" LAG SCREW W/ 1-1/2" MIN. EMBEDMENT AND 3/4" MIN. EDGE DISTANCE	16" O.C.	14" O.C.	11" O.C.	10" O.C.	8" O.C.	7" O.C.
	#14 SMS OR WOOD SCREW W/ 1-1/2" MIN. EMBEDMENT AND 3/4" MIN. EDGE DISTANCE	13" O.C.	10" O.C.	8" O.C.	7" O.C.	6" O.C.	5" O.C.

NOTE: TABLE PROVIDES MAXIMUM ANCHOR SPACING FOR INDICATED ANCHOR TYPES AND SLIDING PANEL VERTICAL SPANS FOR ALTERNATE "LEG OUT" CONDITION. ANCHORS SHALL BE LOCATED 2" MAX FROM TRACK ENDS.

FRANK L. BENNARDO, P.E.
#PE0046549
08/09/2017
STATE OF FLORIDA
PROFESSIONAL ENGINEER

ENGINEERING EXPRESS
CORPORATE OFFICE:
160 SW 12th AVE, SUITE 106
DEERFIELD BEACH, FL 33442
P: (954) 354-0668 F: (954) 354-0443
E: HELLO@ENGINEERINGEXPRESS.COM
ENGINEERINGEXPRESS.COM
CERT OF AUTH #9885

Town & Country INDUSTRIES
Wholesale Aluminum and Building Products
A Division of ABC Supply Co., Inc.
400 WEST MCNAB ROAD FT. LAUDERDALE, FL 33309
FLORIDA PRODUCT APPROVAL #16219.1

REVISIONS	DATE	BY	CHKD
INIT ISSUE (12-TOM-06)	12/20/12	KL	FLB
FBC UPDATE	04/16/15	RWN	TSB
REV - ADD 4" BLADE	08/28/16	RWN	FLB
REV (2017 FBC)	08-07-17	RWN	FLB

THIS DOCUMENT IS THE PROPERTY OF FRANK L. BENNARDO, P.E. AND SHALL NOT BE REPRODUCED IN WHOLE OR PART WITHOUT WRITTEN CONSENT OF FRANK L. BENNARDO, P.E. - ALTERNATION, ADDITION, DELETION, REVISIONS OR OTHER MODIFICATIONS TO THIS DOCUMENT ARE NOT PERMITTED AND WILL BE AT THE USER'S RISK.

COPYRIGHT FRANK L. BENNARDO P.E.
15-2341
SCALE:
PAGE DESCRIPTION:

